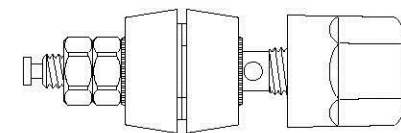
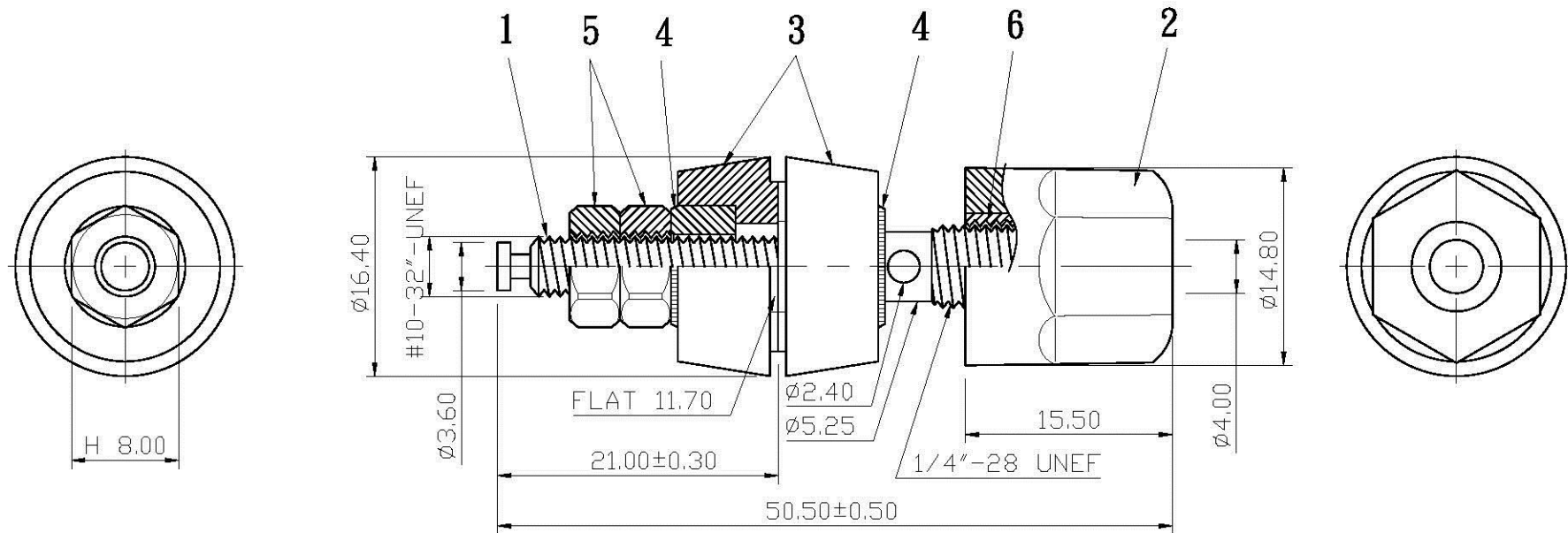



REMARK : RoHS REQUIREMENT APPLIED
(符合RoHS)



S 1 : 1

NO.	Description	Unit	Materials	Finish	Drawing No.	SCALE	2 : 1	UNIT	MM	
7						DIMENSIONS ARE IN MILLIMETERS UNLESS OTHERWISE PECIFIED TOLERANCES (一般公差) 0.5-6 = ±0.2 >6-30 = ±0.4 >30-120 = ±0.6 >120-315 = ±1 >315-1000 = ±1.6 ANGLES(角度) = ±5°				
6	ferrule	1	brass	nickel						
5	nut	2	iron	nickel						
4	ring	2	brass	nickel						
3	washer	2	plastic	red/black						
2	shell	1	plastic	red/black						
1	body	1	brass	nickel						
						APPROVED	 www.allconnectors.de Tel.: 0049 711 7002503 70714 Hilderstact - Germany info@allconnectors.de Fax: 0049 711 7002504 Kettenerstr. 25			
						CHECKED				
						DRAWN <i>Lala</i>				
						DATE 2008. 01. 28				
						TITLE	BINDING POST			
						DRAWING NO.	BI-252RD/BKPLN-20mm			
						FILE NO.	DRAWINGAUDIO\BI\BI-252RD/BKPLN-20mm			