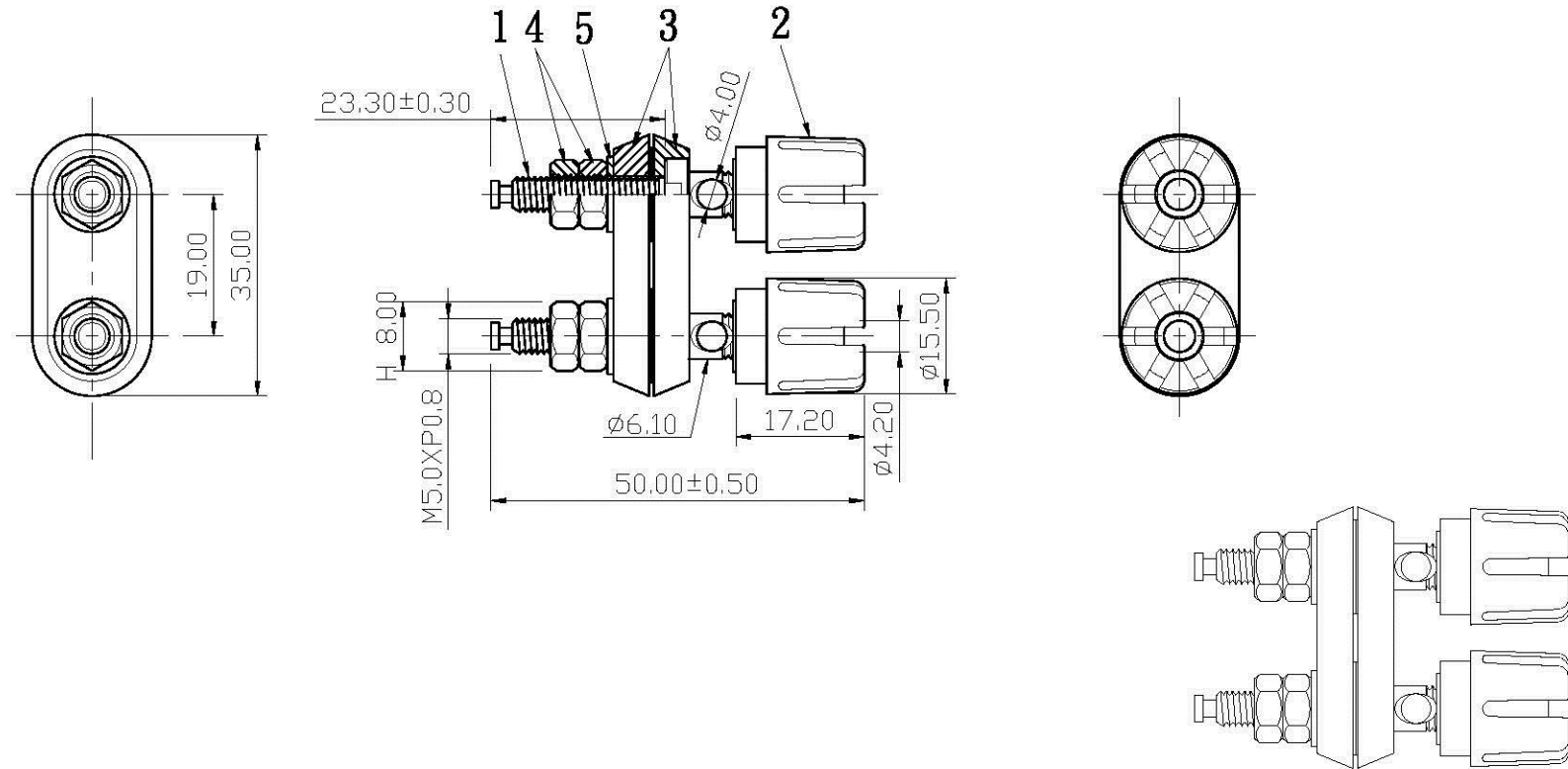



REMARK : RoHS REQUIREMENT APPLIED
(符合RoHS)



BLACK BRIDGE ,RED & BLACK SHELL PLASTIC WITH CONFORM UL94-V0
(黑色支架,紅色黑色外殼塑膠材質符合UL94-V0品質標準)

S 1 : 1

NO.	Description	Unit	Materials	Finish	Drawing No.	SCALE	1 : 1	UNIT	MM	DATE	2008. 01. 30	APPROVED	Checked	Drawn	DATE	2008. 01. 30	FILE NO.	DRAWING	AUDIO\BINBI-251BKPLN-BK&RD-20mm-UL94V0
7						DIMENSIONS ARE IN MILLIMETERS UNLESS OTHERWISE PECIFIED TOLERANCES (一般公差) 0.5~6 = ±0.2 >6~30 = ±0.4 >30~120 = ±0.6 >120~315 = ±1 >315~1000 = ±1.6 ANGLES(角度) = ±5°			APPROVED		 www.allconnectors.de info@allconnectors.de Tel.: 0049 711 7009503 Fax: 0049 711 7009504 70794 Filderstadt - Germany Kettnerstr. 25								
6					CHECKED				TITLE		BINDING POST								
5	washer	2	brass	nickel	DRAWN				DRAWING NO.		BI-251BKPLN-BK&RD-20mm-UL94V0								
4	nut	4	brass	nickel	Lala				FILE NO.		DRAWING								
3	bridge	2	plastic	black					A		2008. 01. 30		2008. 01. 30						
2	shell	2	plastic	black & red	DATE				2008. 01. 30		2008. 01. 30		2008. 01. 30		2008. 01. 30		2008. 01. 30		2008. 01. 30
1	body	2	brass	nickel			DATE												