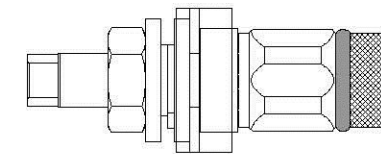
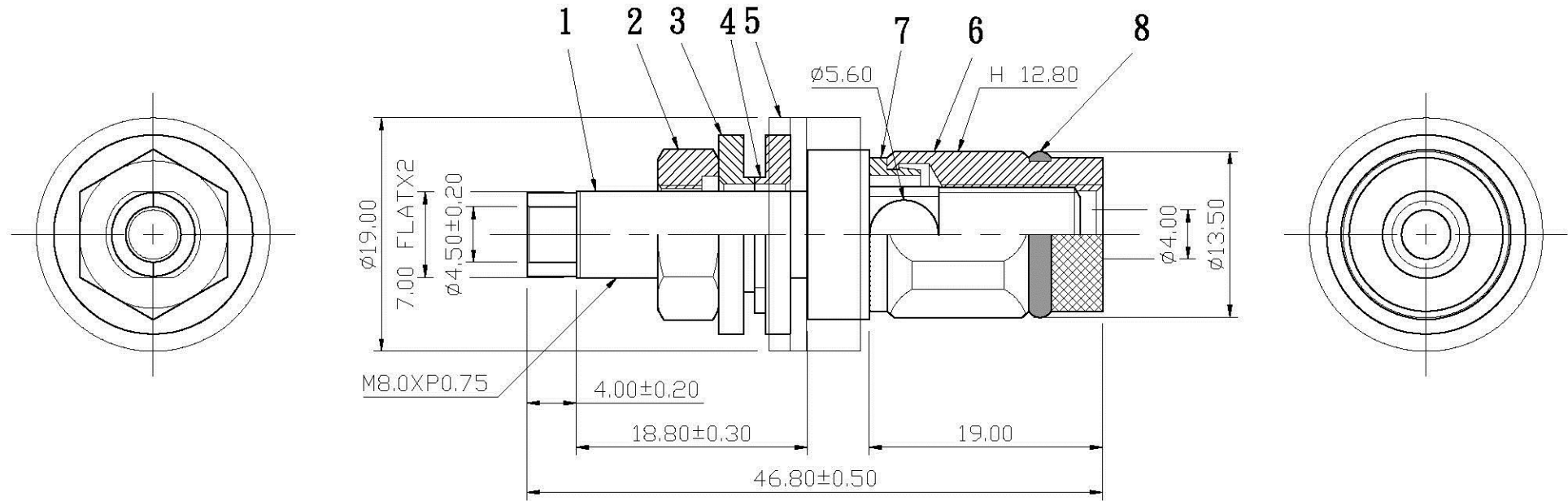



REMARK : RoHS REQUIREMENT APPLIED  
(符合RoHS)



S 1 : 1

8	color ring	1	rubber	red/white		DIMENSIONS ARE IN MILLIMETERS  UNLESS OTHERWISE PECIFIED TOLERANCES (一般公差) 0.5~6 = ±0.2 >6~30 = ±0.4 >30~120 = ±0.6 >120~315 = ±1 >315~1000 = ±1.6 ANGLES(角度) = ±5°	CHECKED	 www.allconnectors.de info@allconnectors.de Tel.: 0049 711 7009503 Fax: 0049 711 7009504 70729-1 Pfliderstact - Germany Kettenerstr. 25	
7	sleeve	1	brass	gold					DRAWN <i>Jim</i>
6	shell	1	brass	mattle black coated			DATE 2011. 07. 01	DRAWING NO. BI-209MBCG-RD/WE-20mm	
5	shell	1	亚克力(PMMA) MITSUBISHI (IRD70)	transparent			FILE NO.	DRAWINGAUDIO\BI-209MBCG-RD/WE-20mm	
4	washer	1	plastic	red/white					
3	washer	1	plastic	red/white					
2	hexagon nut	1	brass	gold					
1	body	1	brass	gold					
NO.	Description	Unit	Materials	Finish	Drawing No.	SCALE	2 : 1	UNIT	MM