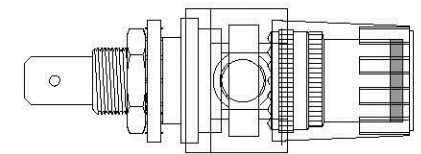
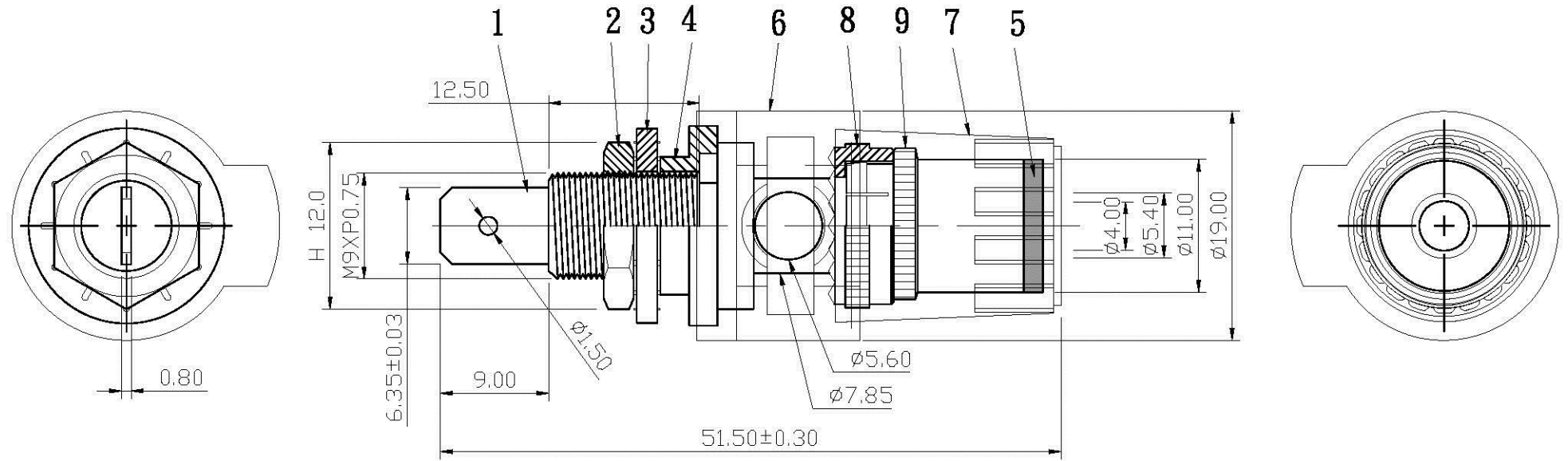


REMARK : RoHS REQUIREMENT APPLIED
(符合RoHS)



S 1 : 1

9	sleeve	1	brass	stain nickel	
8	gasket	1	brass	stain nickel	
7	shell	1	亞克力耐衝擊 (PMMA) MITSUBISHI (IRD70)	transparent	
6	shell	1	亞克力耐衝擊 (PMMA) MITSUBISHI (IRD70)	transparent	
5	color ring	1	PE 207	black/red/white	
4	washer	1	PA66 nylon	black/red/white	
3	washer	1	PA66 nylon	black/red/white	
2	nut	1	brass	nickel	
1	body	1	brass	stain nickel	
NO.	Description	Unit	Materials	Finish	Drawing No.

DIMENSIONS ARE IN
MILLIMETERS

UNLESS OTHERWISE PECIFIED
TOLERANCES
(一般公差)
0.5-6 = ±0.2
>6-30 = ±0.4
>30-120 = ±0.6
>120-315 = ±1
>315-1000 = ±1.6
ANGLES(角度) = ±5°

SCALE 2 : 1 UNIT MM

APPROVED

CHECKED

DRAWN

Lala

DATE

2009. 05. 21

All Connectors

www.allconnectors.de
Tel.: 0049 711 7005503
70794 Hilderstact - Germany

info@allconnectors.de
Fax: 0049 711 7005504
Kettnerstr. 25

TITLE

BINDING POST

DRAWING NO.

BI-205BK/RD/WEPLSN-SH5.6-BK/RD/WE-10mm

FILE NO. DRAWING\AUDIO\BI\BI-205BK/RD/WEPLSN-SH5.6-BK/RD/WE-10mm