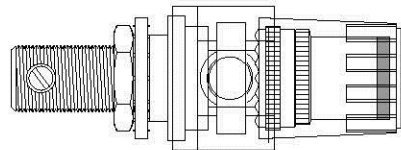
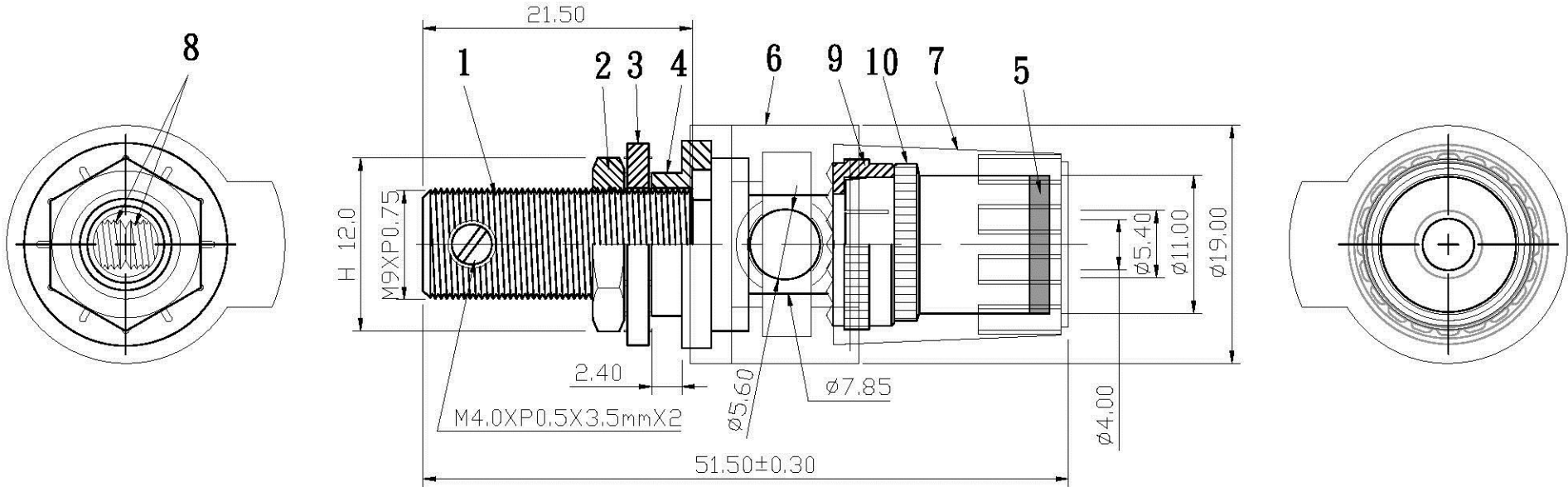


REMARK : RoHS REQUIREMENT APPLIED
(符合RoHS)



S1:1

10	sleeve	1	brass	gold	
9	gasket	1	brass	gold	
8	screw	2	brass	gold	SCREW-104G-M4XP0.5X3.5mm
7	shell	1	亞克力耐衝擊 (PMMA) MITSUBISHI (GRD70)	transparent	
6	shell	1	亞克力耐衝擊 (PMMA) MITSUBISHI (GRD70)	transparent	
5	color ring	1	PE207	red/black/white	
4	washer	1	PA66 nylon	red/black/white	
3	washer	1	PA66 nylon	red/black/white	
2	nut	1	brass	gold	
1	body	1	brass	gold	
NO.	Description	Unit	Materials	Finish	Drawing No.

DIMENSIONS ARE IN MILLIMETERS
UNLESS OTHERWISE PECIFIED TOLERANCES (一般公差)
0.5~6 = ±0.2
>6~30 = ±0.4
>30~120 = ±0.6
>120~315 = ±1
>315~1000 = ±1.6
ANGLES(角度) = ±5°

APPROVED

CHECKED

DRAWN

Lala

DATE

2008. 01. 22

All Connectors

www.allconnectors.de
Tel.: 0049 711 7009503
70794 Hilderstadt Germany

info@allconnectors.de
Fax: 0049 711 7009504
Kettnerstr. 25

TITLE

BIDING POST

DRAWING NO.

BI-203RD/BK/WEPLG-RD/BK/WE-20mm

FILE NO. DRAWINGAUDIOB\BI-203RD/BK/WEPLG-RD/BK/WE-20mm

SCALE 2 : 1 UNIT MM