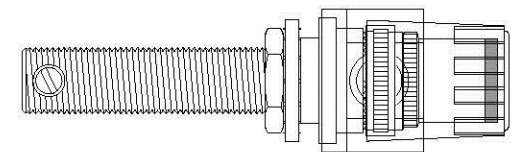
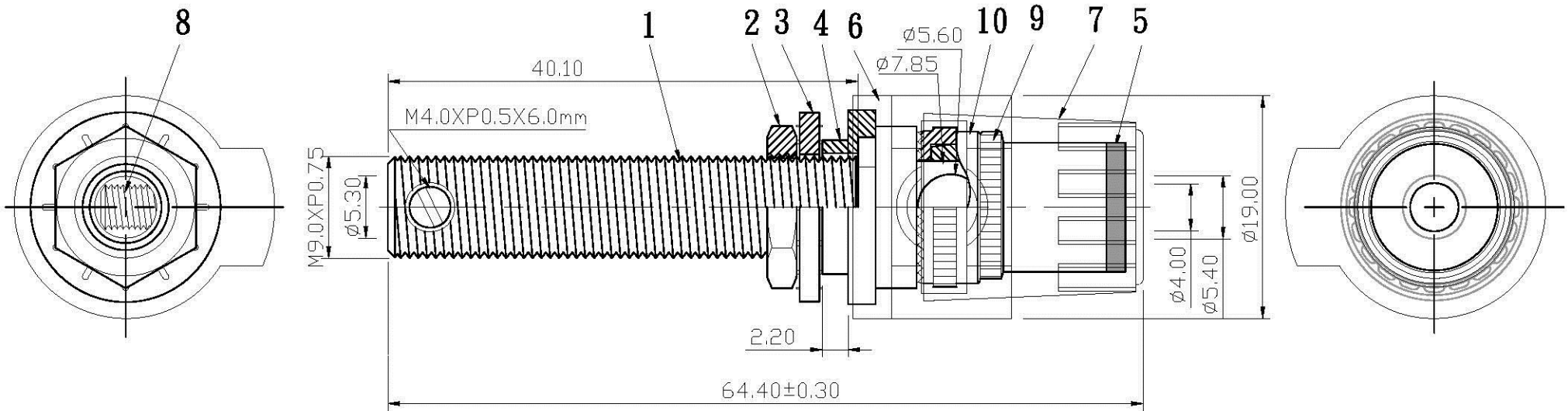


REMARK : RoHS REQUIREMENT APPLIED  
(符合RoHS)



S 1 : 1

10	gasket	1	brass	gold	
9	headlock	1	brass	gold	
8	screw	1	brass	gold	SCREW-104G-M4XP0.5X6.0mm
7	shell	1	亚克力耐衝擊 (PMMA) MITSUBISHI (IRD70)	transparent	
6	shell	1	亚克力耐衝擊 (PMMA) MITSUBISHI (IRD70)	transparent	
5	color ring	1	PE 207	red/black/white	
4	washer	1	PA66 nylon	red/black/white	
3	washer	1	PA66 nylon	red/black/white	
2	nut	1	brass	gold	
1	body	1	brass	gold	
NO.	Description	Unit	Materials	Finish	Drawing No.

DIMENSIONS ARE IN  
MILLIMETERS

UNLESS OTHERWISE PECIFIED  
TOLERANCES  
(一般公差)

0.5-6 = ±0.2  
>6-30 = ±0.4  
>30-120 = ±0.6  
>120-315 = ±1  
>315-1000 = ±1.6  
ANGLES(角度) = ±5°

SCALE 2 : 1 UNIT MM

APPROVED

CHECKED

DRAWN

Otis

DATE

2008. 02. 16

**All Connectors**

www.allconnectors.de  
Tel.: 0049 711 709504  
70724 Filderstadt - Germany

info@allconnectors.de  
Fax: 0049 711 709504  
Kellenersstr. 25

TITLE

BINDING POST

DRAWING NO.

BI-203RD/BK/WEPLG-RD/BK/WE-40mm

FILE NO. DRAWINGAUDIOABBI-203RD/BK/WEPLG-RD/BK/WE-40mm