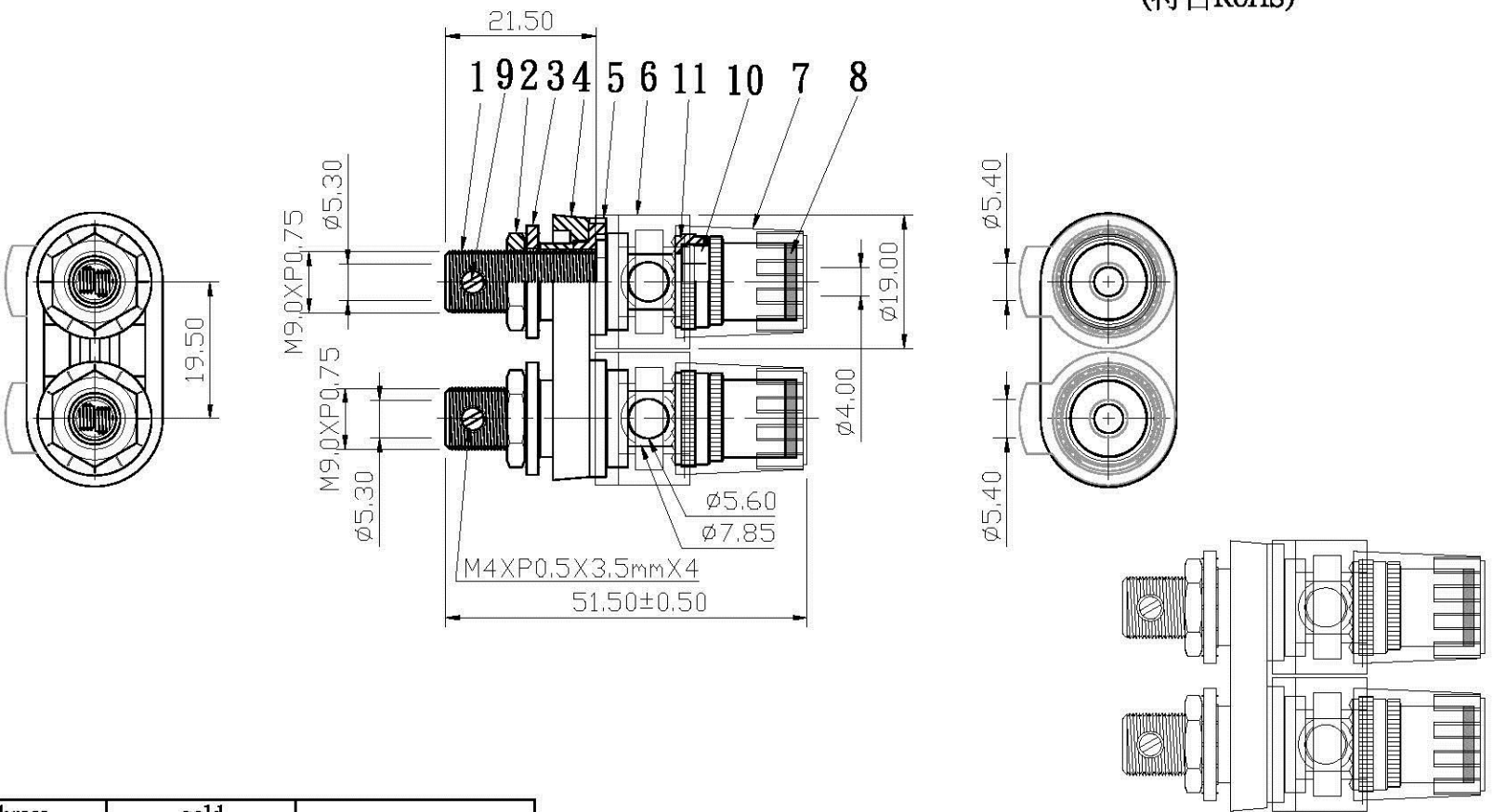


REMARK : RoHS REQUIREMENT APPLIED  
(符合RoHS)



11	gasket	2	brass	gold	
10	sleeve	2	brass	gold	
9	screw	4	brass	gold	SCREW-104G-M4XP0.5X3.5mm
8	color ring	2	PE 207	red/black/white	
7	shell	2	亞克力耐衝擊 (PMMA) MITSUBISHI (IRD70)	transparent	
6	shell	2	亞克力耐衝擊 (PMMA) MITSUBISHI (IRD70)	transparent	
5	washer	2	PA66 尼龍	red/black/white	
4	bridge	1	plastic	red/black/white	
3	washer	2	PA66 尼龍	red/black/white	
2	nut	2	brass	gold	
1	body	2	brass	gold	
NO.	Description	Unit	Materials	Finish	Drawing No.

DIMENSIONS ARE IN MILLIMETERS

UNLESS OTHERWISE PECIFIED TOLERANCES (一般公差)

0.5~6 = ±0.2  
 >6~30 = ±0.4  
 >30~120 = ±0.6  
 >120~315 = ±1  
 >315~1000 = ±1.6

ANGLES(角度) = ±5'

SCALE 1 : 1 UNIT MM

APPROVED

CHECKED

DRAWN  
*Lala*

DATE  
2008.01.22

**All Connectors**

www.allconnectors.de  
 TEL: 0049 418 3005011  
 70794 Filderstadt, Germany

Info@allconnectors.de  
 Fax: 0049 418 3005011  
 Kottelnerstr. 23

TITLE  
**BINDING POST**

DRAWING NO.  
**BI-202RD/BK/WEPLG-RD&BK&WE-20mm**

FILE NO. DRAWINGAUDIOABNBI-202RD/BK/WEPLG-RD&BK&WE-20mm

S 1 : 1