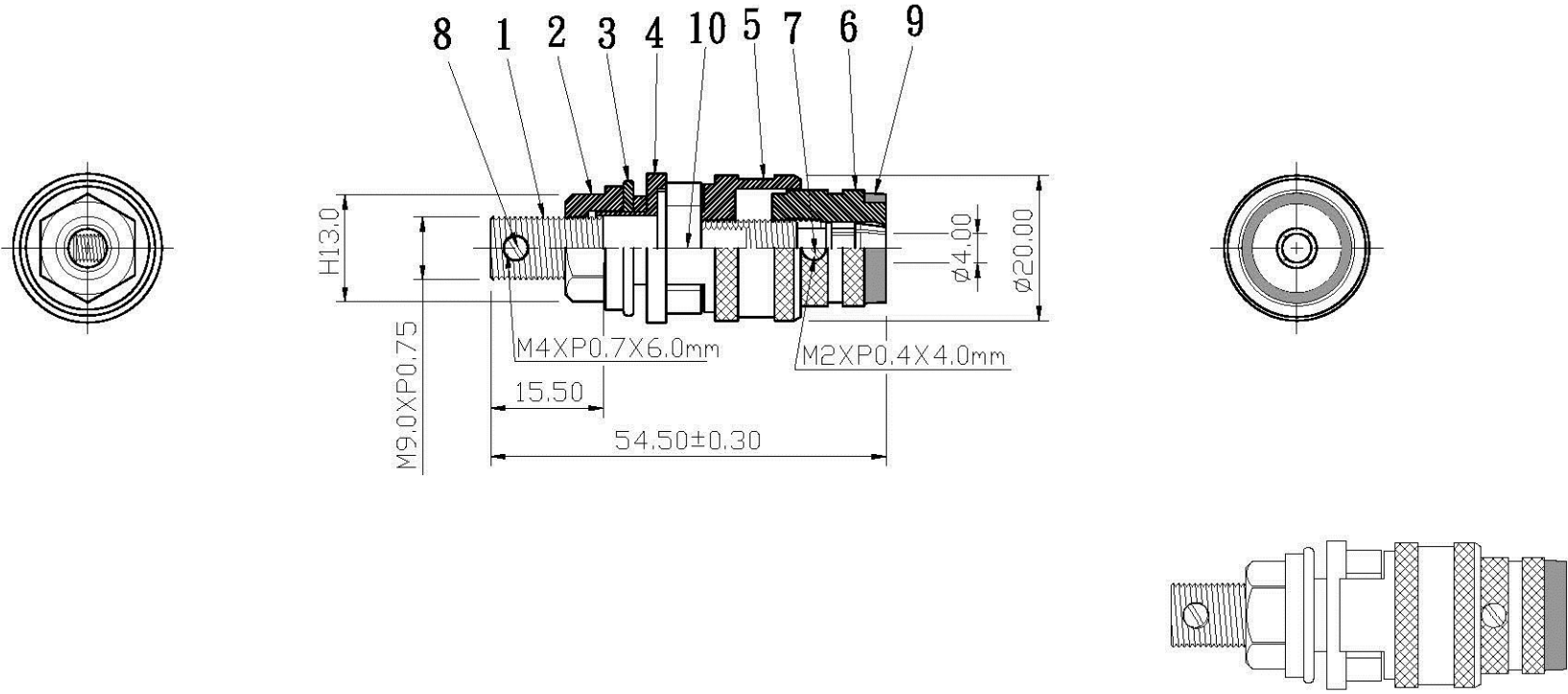


REMARK : RoHS REQUIREMENT APPLIED
(符合RoHS)



S 1 : 1

10	washer	1	brass	gold	
9	color ring	1	plastic	red/black/white	
8	screw	1	brass	gold	SCREW-108G-M4XP0.7X6.0mm
7	screw	1	brass	gold	SCREW-302G-M2XP0.4X4.0mm
6	headlock	1	brass	gold	
5	shell	1	brass	gold	
4	washer	1	plastic	red/black/white	
3	washer	1	plastic	red/black/white	
2	nut	1	brass	gold	
1	body	1	brass	gold	
NO.	Description	Unit	Materials	Finish	Drawing No.

DIMENSIONS ARE IN MILLIMETERS
UNLESS OTHERWISE PECIFIED
TOLERANCES
(一般公差)
$0.5-6 = \pm 0.2$
$>6-30 = \pm 0.4$
$>30-120 = \pm 0.6$
$>120-315 = \pm 1$
$>315-1000 = \pm 1.6$
ANGLES(角度) = $\pm 5^\circ$

SCALE	1 : 1	UNIT	MM
-------	-------	------	----

APPROVED	
CHECKED	
DRAWN	Lala
DATE	2007.10.03

All Connectors
www.allconnectors.de
Tel.: 0049 711 7005008
70794 Hilderstadt - Germany
info@allconnectors.de
Fax: 0049 711 7005009
Kettnerstr. 25

TITLE: **BIDING POST**

DRAWING NO.: **BI-201RD/BK/WEPLG-RD/BK/WE-20mm**

FILE NO. DRAWING\AUDIO\BIBI-201RD/BK/WEPLG-RD/BK/WE-20mm