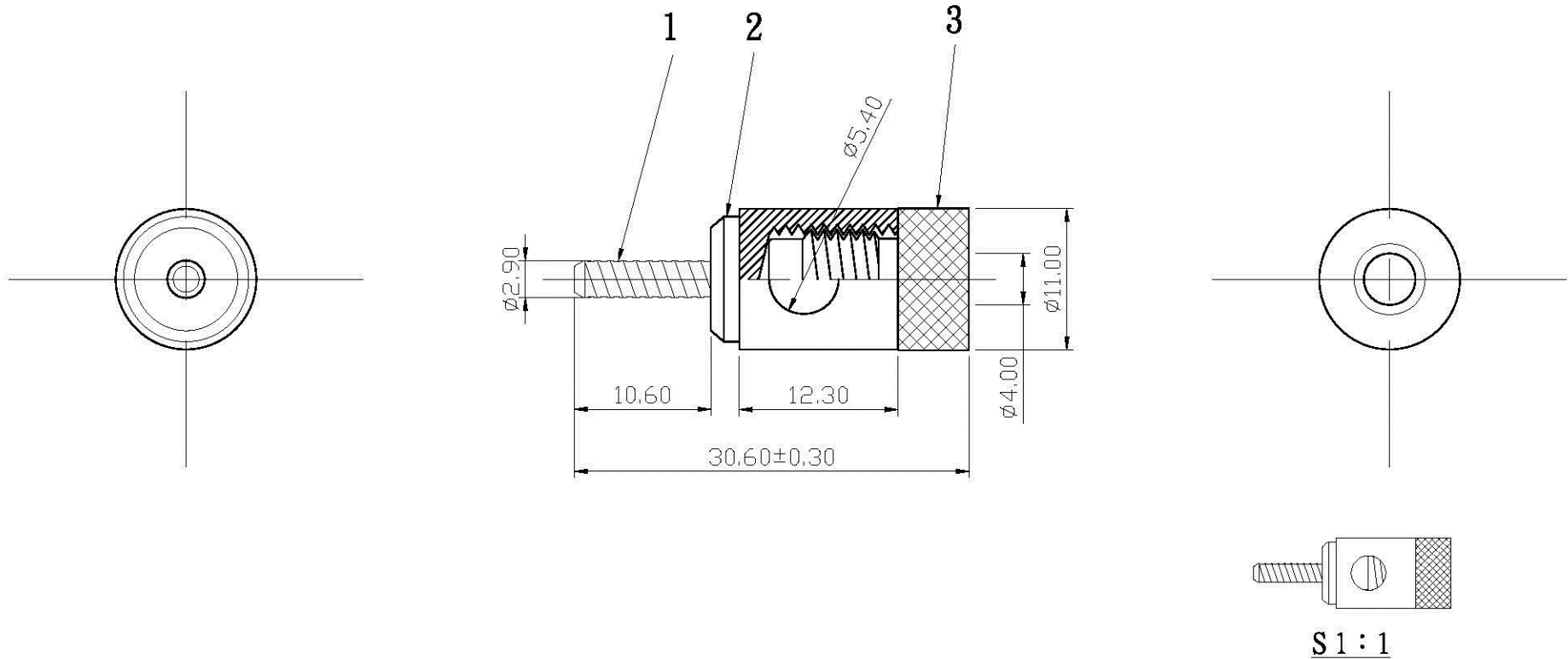


The tolerance without marking are all $\pm 0.25\text{mm}$



COMPONENTS LIST

NO.	Description	Unit	Materials	Finish	Drawing No.
1	body	1	brass	gold	
2	gasket	1	plastic	black/red(nature)	
3	headlock	1	brass	gold	
4					
5					

校對 Check		核准 Approved			
				<small>www.allconnectors.de Tel.: 0049 711 7009503 70794 Filderstadt Germany</small>	
				<small>info@allconnectors.de Fax: 0049 711 7005504 Kettenerstr. 25</small>	
繪圖 Drawing By		Tina		2006. 03. 29	
SCALE		2 : 1		UNIT MM	
				圖名 TITLE	
				型號 PART NO.	
				圖號 DRAWING NO.	
				BINDING POST	
				BI-120GG-SH5.4-BK/RD-10mm	
				06032901-3	