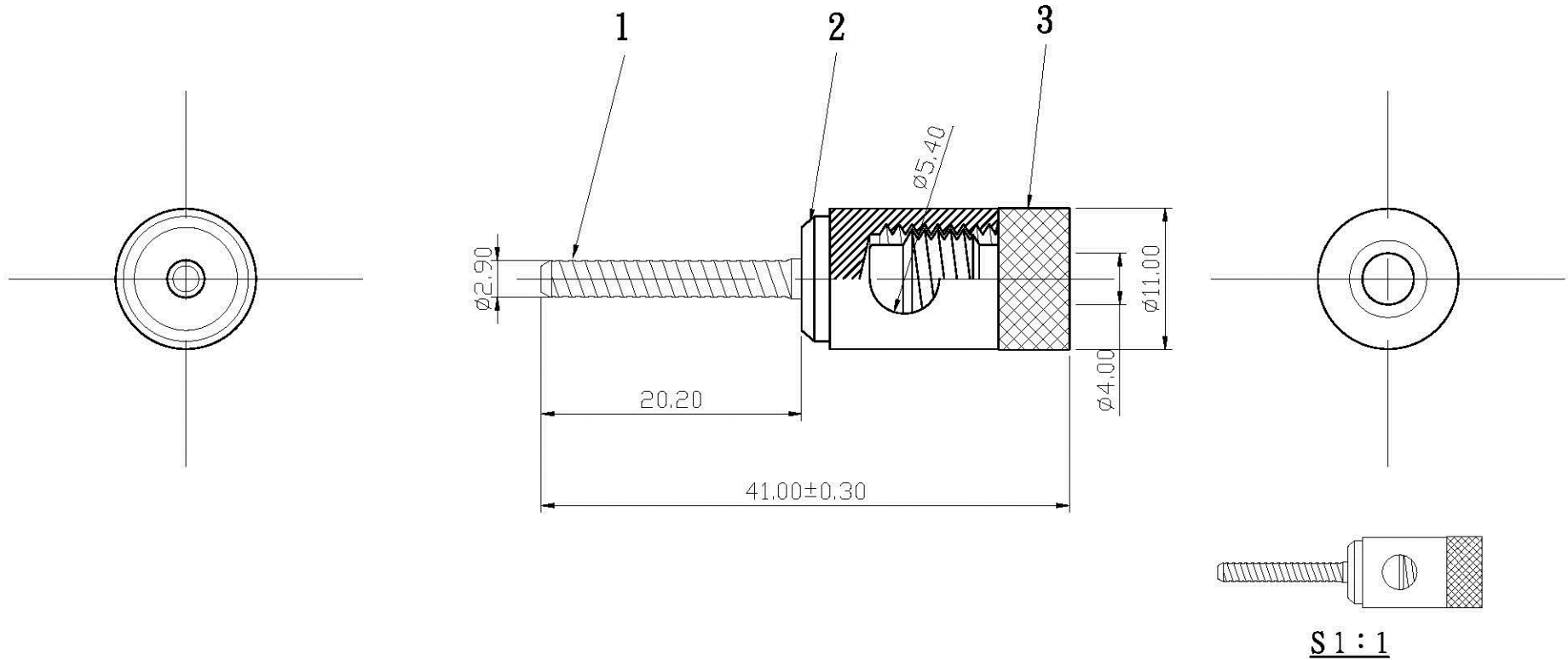



The tolerance without marking are all  $\pm 0.25\text{mm}$



### COMPONENTS LIST

NO.	Description	Unit	Materials	Finish	Drawing No.
1	body	1	brass	gold	
2	gasket	1	plastic	black/red(nature)	
3	headlock	1	brass	gold	
4					
5					

校對 Check		核准 Approved		 www.allconnectors.de Tel.: 0049 711 709503 70724 Filderstadt - Germany info@allconnectors.de Fax: 0049 711 709504 Kettenerstr. 25	
繪圖 Drawing By		Tina		2006. 03. 24	
SCALE		2 : 1		UNIT MM	
圖名 TITLE		BINDING POST			
型號 PART NO.		BI-119GG-SH5.4-BK/RD-20mm			
圖號 DRAWING NO.		06032403-3			