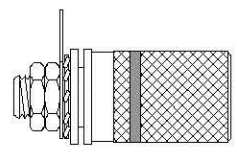
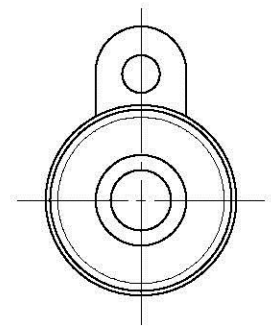
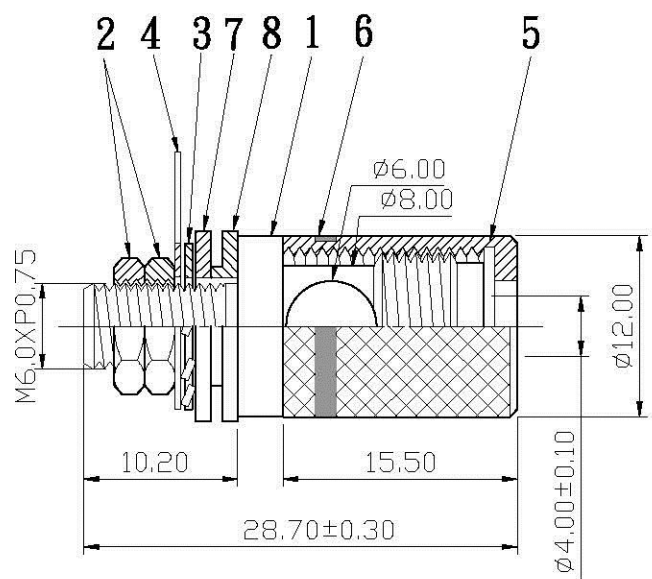
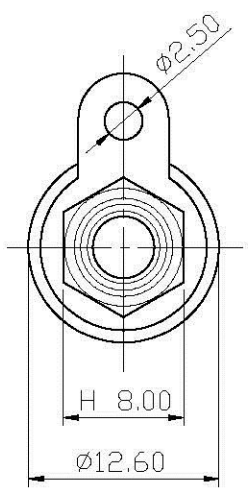


REMARK : RoHS REQUIREMENT APPLIED  
(符合RoHS)



S 1 : 1

8	washer	1	plastic	white	
7	washer	1	plastic	white	
6	color ring	1	pvc	black/blue/green/ red/white/yellow	
5	shell	1	brass	gold	
4	solder tab	1	bronze	gold	
3	washer	1	brass	gold	
2	nut	2	brass	gold	
1	body	1	brass	gold	
NO.	Description	Unit	Materials	Finish	Drawing No.

DIMENSIONS ARE IN  
MILLIMETERS

UNLESS OTHERWISE PECIFIED  
TOLERANCES  
(一般公差)  
0.5-6 = ±0.2  
>6-30 = ±0.4  
>30-120 = ±0.6  
>120-315 = ±1  
>315-1000 = ±1.6  
ANGLES(角度) = ±5°

SCALE	2 : 1	UNIT	MM
-------	-------	------	----

CHECKED

DRAWN  
*Lala*

DATE  
2008. 02. 15

**All Connectors**  
www.allconnectors.de  
Tel.: 0049 /11 7009504  
70734 Hilderstadt - Germany

info@allconnectors.de  
Fax: 0049 /11 7009501  
Kettenerstr. 23

TITLE  
**BINDING POST**

DRAWING NO.  
**BI-117GG-BK/BE/GN/RD/WE/YW-10mm**

FILE NO. DRAWING\AUDIO\BBI-117GG-BK/BE/GN/RD/WE/YW-10mm