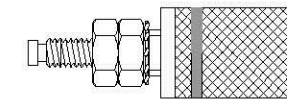
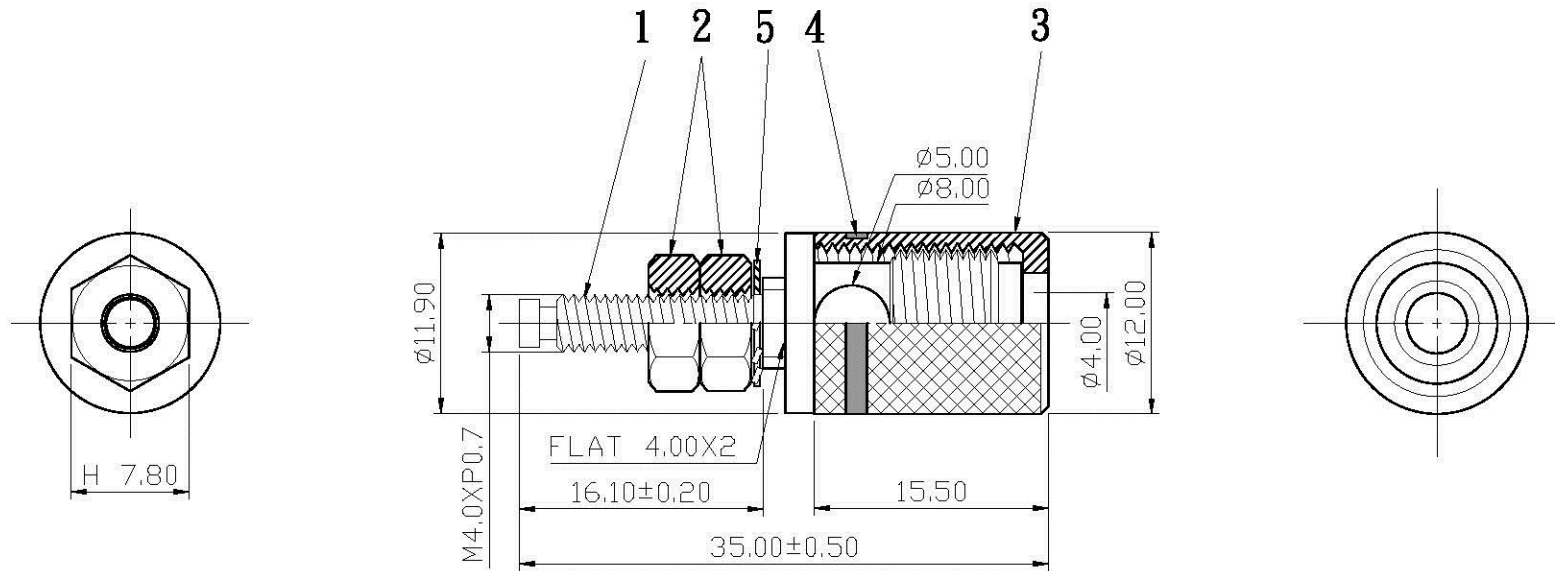


REMARK : RoHS REQUIREMENT APPLIED  
(符合RoHS)



S1:1

NO.	Description	Unit	Materials	Finish	Drawing No.	SCALE	2 : 1	UNIT	MM	DATE	2008. 01. 07	FILE NO.	DRAWINGAUDIOBIBI-116GG-A-RD/BK/BE/WE/YW/GN-15mm
7						DIMENSIONS ARE IN MILLIMETERS UNLESS OTHERWISE PECIFIED TOLERANCES (一般公差) 0.5~6 = ±0.2 >6~30 = ±0.4 >30~120 = ±0.6 >120~315 = ±1 >315~1000 = ±1.6 ANGLES(角度) = ±5°				APPROVED	 www.allconnectors.de Tel.: 0049 711 7009503 70794 Filderstadt - Germany info@allconnectors.de Fax: 0049 711 7009504 Kettenerstr. 25	TITLE	BINDING POST
6					CHECKED								
5	washer	1	iron	gold	DRAWN					Lala			
4	color ring	1	pvc	red/black/blue white/yellow/green	DATE					2008. 01. 07	DRAWING NO.	BI-116GG-A-RD/BK/BE/WE/YW/GN-15mm	
3	headlock	1	brass	gold									
2	hexagon nut	2	iron	gold									
1	body	1	brass	gold									