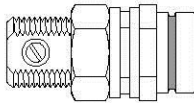
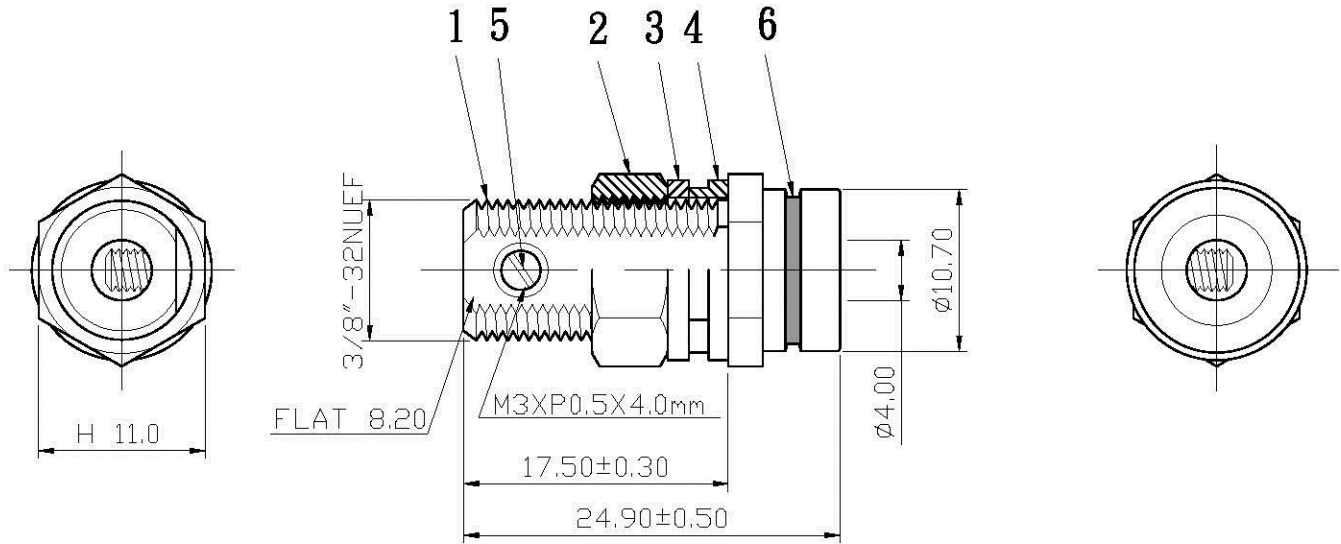



REMARK : RoHS REQUIREMENT APPLIED
(符合RoHS)



S 1 : 1

7						DIMENSIONS ARE IN MILLIMETERS UNLESS OTHERWISE PECIFIED TOLERANCES (一般公差) 0.5-6 = ±0.2 >6-30 = ±0.4 >30-120 = ±0.6 >120-315 = ±1 >315-1000 = ±1.6 ANGLES(角度) = ±5°	APPROVED	 www.allconnectors.de info@allconnectors.de Tel.: 0049 711 7000500 Fax: 0049 711 7000504 70794 Filzstadt - Germany Kellenmerstr. 25	
6	color ring	1	dripping	red/black/blue white/yellow/green			CHECKED		TITLE
5	screw	1	brass	gold	SCREW-103G-M3XP0.5X4.0mm		DRAWN		BINDING POST
4	wsaher	1	plastic	transparent			<i>Lala</i>	DRAWING NO.	
3	wsaher	1	plastic	transparent			DATE	BI-113HG-BK/RD/BE/WE/YW/GN-20mm	
2	nut	1	brass	gold			2008. 09. 11	FILE NO. DRAWING\AUDIO\BIBI-113HG-BK/RD/BE/WE/YW/GN-20mm	
1	body	1	brass	gold					
NO.	Description	Unit	Materials	Finish	Drawing No.	SCALE	2 : 1	UNIT	MM