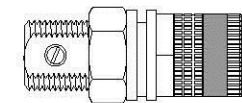
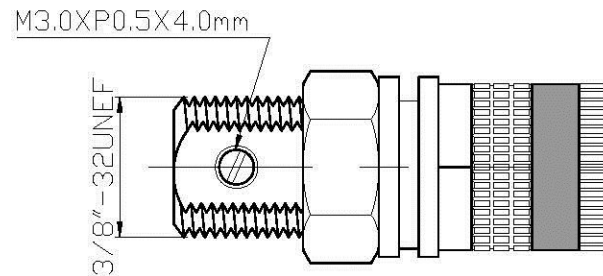
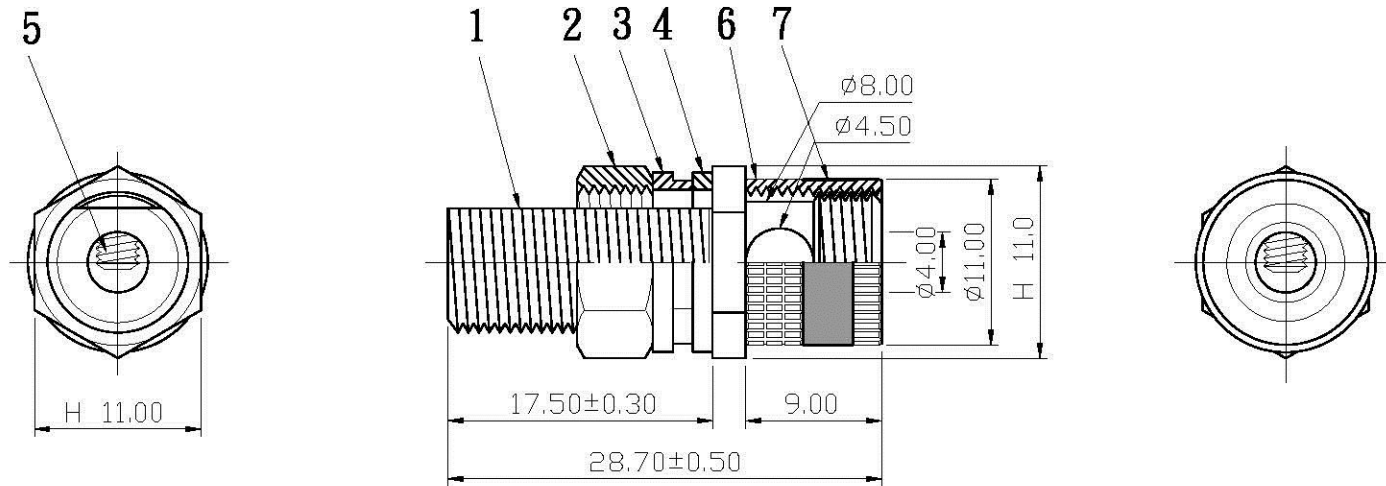


No.	DATE	DESCRIPTION	REV
▲	2009. 08. 17	Drawing to renew 圖面更新	A

REMARK : RoHS REQUIREMENT APPLIED
(符合RoHS)



S 1 : 1

7	color ring	1	PVC	red/black		DIMENSIONS ARE IN MILLIMETERS UNLESS OTHERWISE PECIFIED TOLERANCES (一般公差) 0.5-6 = ±0.2 >6-30 = ±0.4 >30-120 = ±0.6 >120-315 = ±1 >315-1000 = ±1.6 ANGLES(角度) = ±5°	APPROVED	 www.allconnectors.de Tel.: 0049 711 709503 70794 Filderstadt, Germany info@allconnectors.de Fax: 0049 711 709504 Kellenerstr. 25	
6	headlock	1	brass	gold			CHECKED		TITLE
5	screw	1	brass	gold	SCREW-103G-M3XP0.5X4.0mm		DRAWN		BINDING POST DRAWING NO. BI-111HG-RD/BK-20mm FILE NO. DRAWING\AUDIO\BI\BI-111HG-RD/BK-20mm
4	washer	1	plastic	transparent			<i>Lala</i>		
3	washer	1	plastic	transparent			DATE		
2	nut	1	brass	gold			2008. 02. 05		
1	body	1	brass	gold					
NO.	Description	Unit	Materials	Finish	Drawing No.	SCALE	2 : 1	UNIT	MM