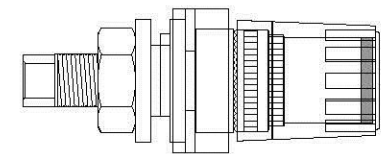
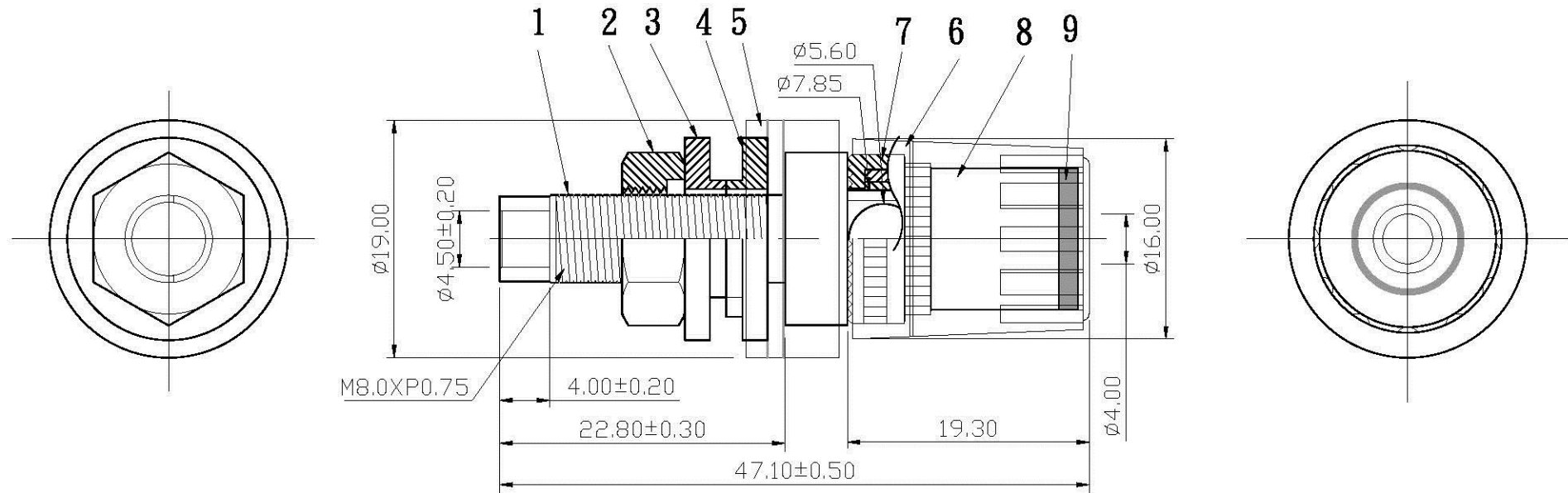


REMARK : RoHS REQUIREMENT APPLIED
(符合RoHS)



S 1 : 1

9	color ring	1	PE 207	red/black/white	
8	shell	1	brass	gold	
7	ring	1	brass	gold	
6	shell	1	亞克力耐衝擊(PMMA) MITSUBISHI (IR70)	transparent	
5	shell	1	亞克力耐衝擊(PMMA) MITSUBISHI (IR70)	transparent	
4	washer	1	PA 66 nylon	red/black/white	
3	washer	1	PA 66 nylon	red/black/white	
2	hexagon nut	1	brass	gold	
1	body	1	brass	gold	
NO.	Description	Unit	Materials	Finish	Drawing No.

DIMENSIONS ARE IN
MILLIMETERS

UNLESS OTHERWISE PECIFIED
TOLERANCES
(一般公差)

0.5~6 = ±0.2
>6~30 = ±0.4
>30~120 = ±0.6
>120~315 = ±1
>315~1000 = ±1.6
ANGLES(角度) = ±5°

APPROVED

CHECKED

DRAWN

Lala

DATE

2008. 01. 18

All Connectors

www.allconnectors.de
Tel.: 0049 711 7000503
70724 Rilderstadt - Germany

info@allconnectors.de
Fax: 0049 711 7000504
Kettenerstr. 25

TITLE

BINDING POST

DRAWING NO.

BI-110RD/BK/WEPLG-RD/BK/WE-20mm

FILE NO. DRAWING\AUDIO\BBI-110RD/BK/WEPLG-RD/BK/WE-20mm

SCALE 2 : 1 UNIT MM