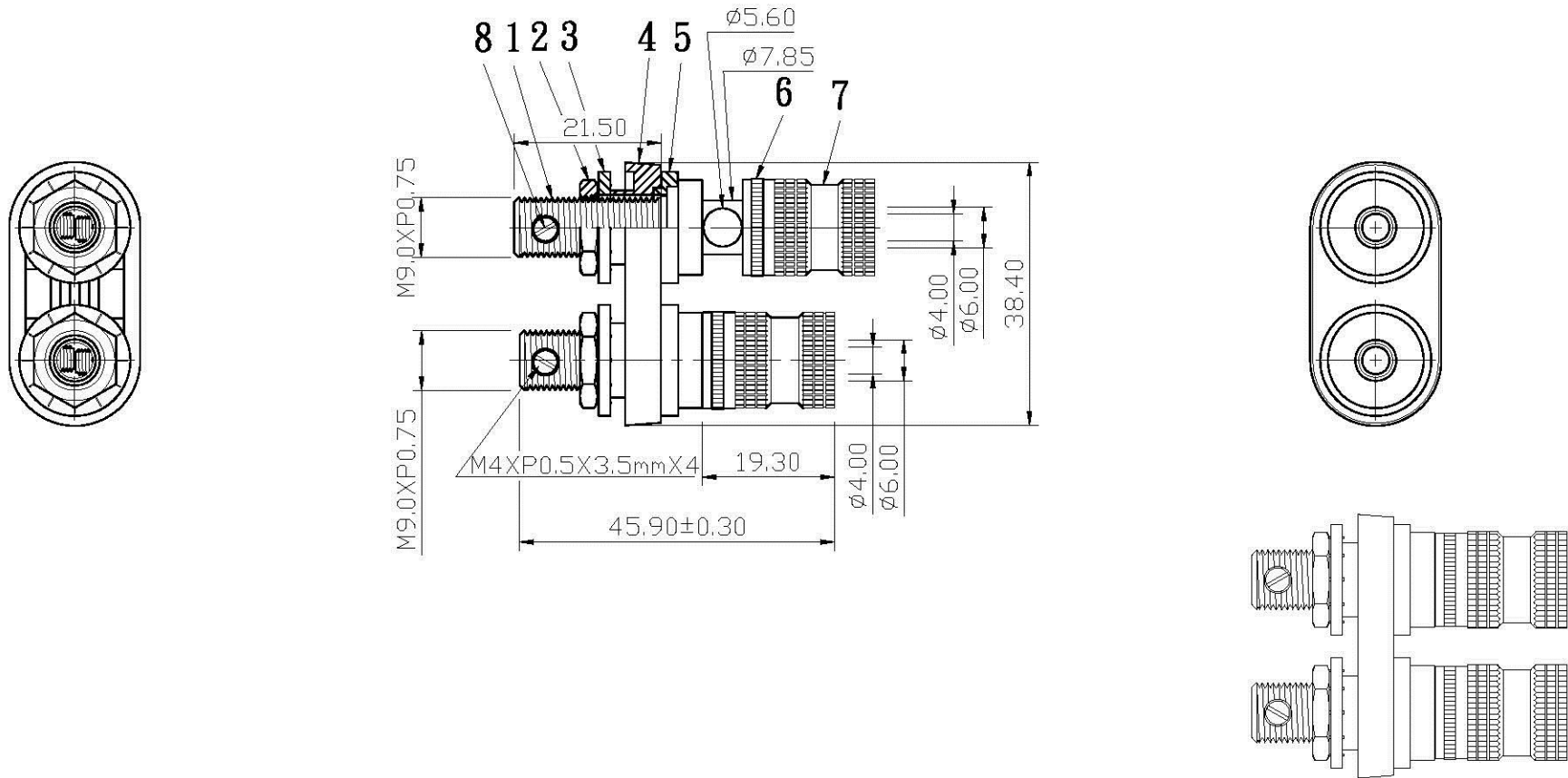



REMARK : RoHS REQUIREMENT APPLIED
(符合RoHS)



S1:1

8	screw	4	brass	gold	SCREW-104G-M4XP0.5X3.5mm	DIMENSIONS ARE IN MILLIMETERS UNLESS OTHERWISE PECIFIED TOLERANCES (一般公差) 0.5~6 = ±0.2 >6~30 = ±0.4 >30~120 = ±0.6 >120~315 = ±1 >315~1000 = ±1.6 ANGLES(角度) = ±5°	APPROVED	 www.allconnectors.de info@allconnectors.de TEL: 0149 711 409514 FAX: 0149 711 409514 70794 Filzrieden, Germany Kollmeyerstr. 25	
7	shell	2	brass	gold			CHECKED		TITLE
6	headlock	2	brass	gold			DRAWN		BINDING POST
5	washer	2	plastic	red/black/white			<i>Lala</i>	DRAWING NO.	
4	bridge	1	plastic	red/black/white			DATE	BI-109RD/BK/WEPLG-RD&BK&WE-20mm	
3	washer	2	plastic	red/black/white			2007. 12. 10	FILE NO. DRAWINGAUDIOABNBI-109RD/BK/WEPLG-RD&BK&WE-20mm	
2	hexshon nut	2	brass	gold					
1	body	2	brass	gold					
NO.	Description	Unit	Materials	Finish	Drawing No.	SCALE	1 : 1	UNIT	MM