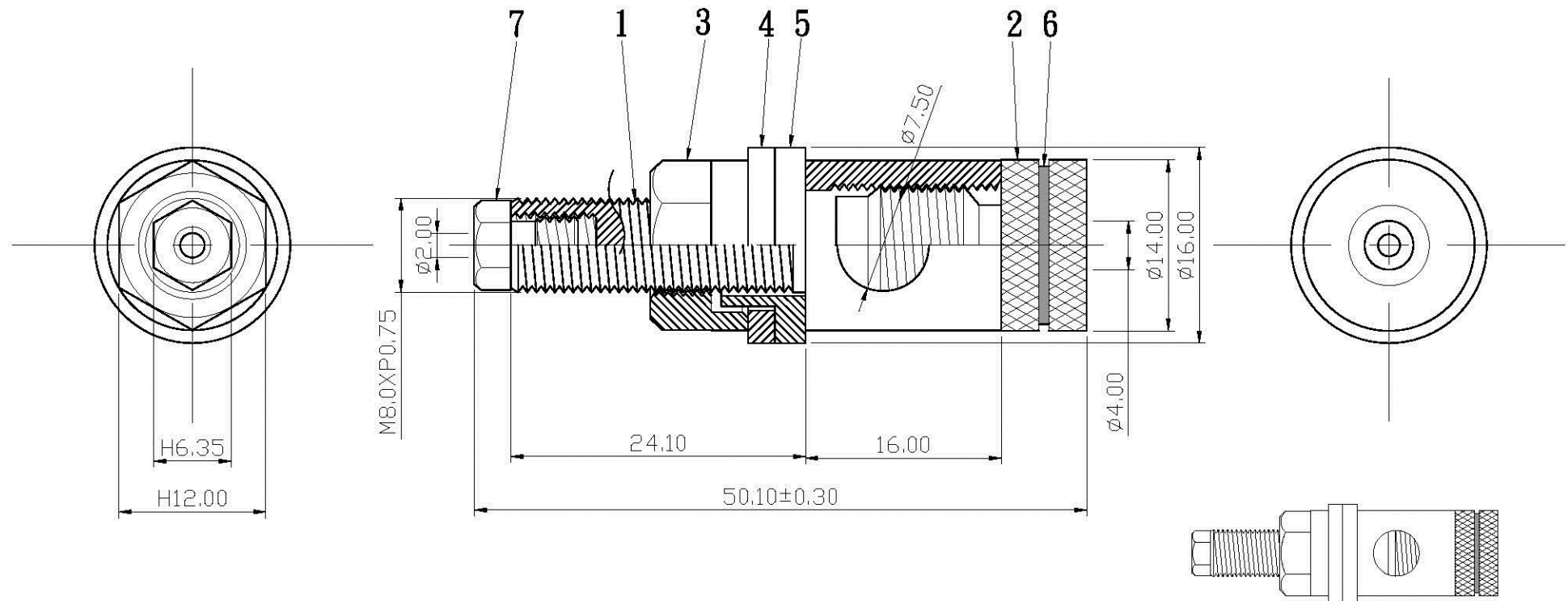



The tolerance without marking are all $\pm 0.25\text{mm}$



S 1 : 1

COMPONENTS LIST

NO.	Description	Unit	Materials	Finish	Drawing No.
1	body	1	brass	gold	
2	headlock	1	brass	gold	
3	hexagon nut	1	brass	gold	
4	washer	1	plastic	white(nature)	
5	washer	1	plastic	white(nature)	
6	color ring	1	painting	red/black(nature)	
7	headlock	1	brass	gold	

校對 Check	核准 Approved		
		<small>www.allconnectors.de Tel : 0049 711 7009503 70724 Filderstadt - Germany</small>	
<small>info@allconnectors.de Fax: 0049 711 7009504 Kettnerstr. 25</small>		圖名 TITLE	BINDING POST
繪圖 Drawing By	Tina	2006. 02. 16	型號 PART NO.
SCALE	2 : 1	UNIT	MM
圖號 DRAWING NO.		06021601-3	