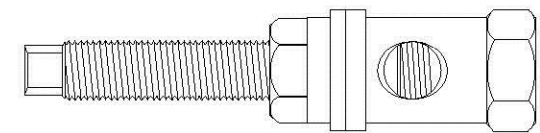
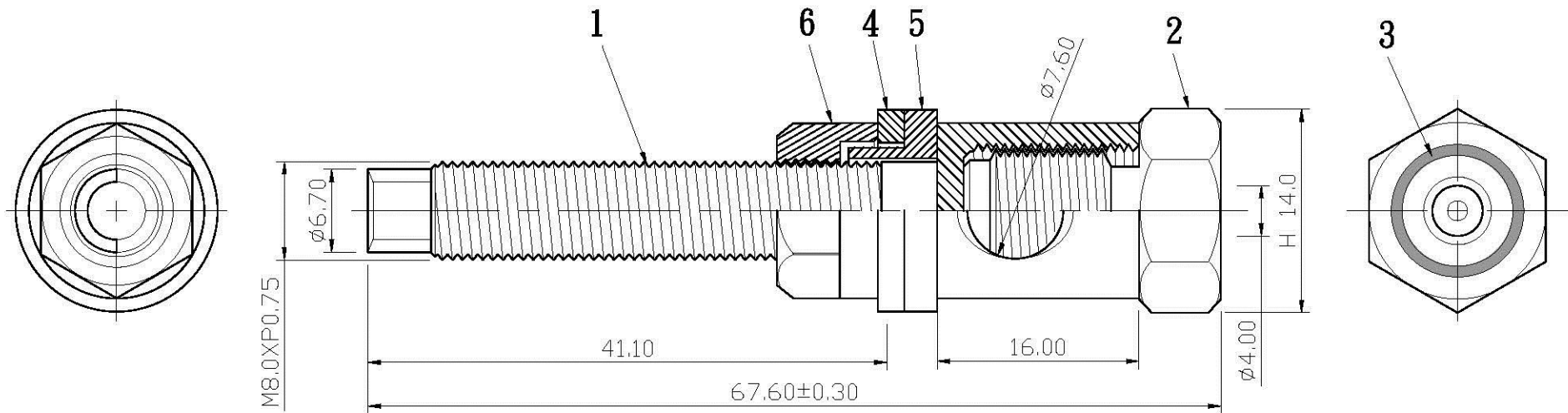


REMARK : RoHS REQUIREMENT APPLIED  
(符合RoHS)



S 1 : 1

NO.	Description	Unit	Materials	Finish	Drawing No.	SCALE	2 : 1	UNIT	MM
7						DIMENSIONS ARE IN MILLIMETERS UNLESS OTHERWISE PECIFIED TOLERANCES (一般公差) 0.5-6 = ±0.2 >6-30 = ±0.4 >30-120 = ±0.6 >120-315 = ±1 >315-1000 = ±1.6 ANGLES(角度) = ±5°			
6	hexagon nut	1	brass	gold					
5	washer	1	plastic	white					
4	washer	1	plastic	white					
3	color ring	1	painting	black/red					
2	headlock	1	brass	gold					
1	body	1	brass	gold					
						APPROVED		 www.allconnectors.de Tel.: 0049 711 7009503 70794 Filzstadt - Germany info@allconnectors.de Fax: 0049 711 7009504 Kettnerstr. 25	
						CHECKED			
						DRAWN <b>Otis</b>			
						DATE 2008. 05. 29			
						TITLE <b>BINDING POST</b>			
						DRAWING NO. <b>BI-105GG-SH7.6-RD/BK-40mm</b>			
						FILE NO. DRAWINGAUDIOABNBI-105GG-SH7.6-RD/BK-40mm			