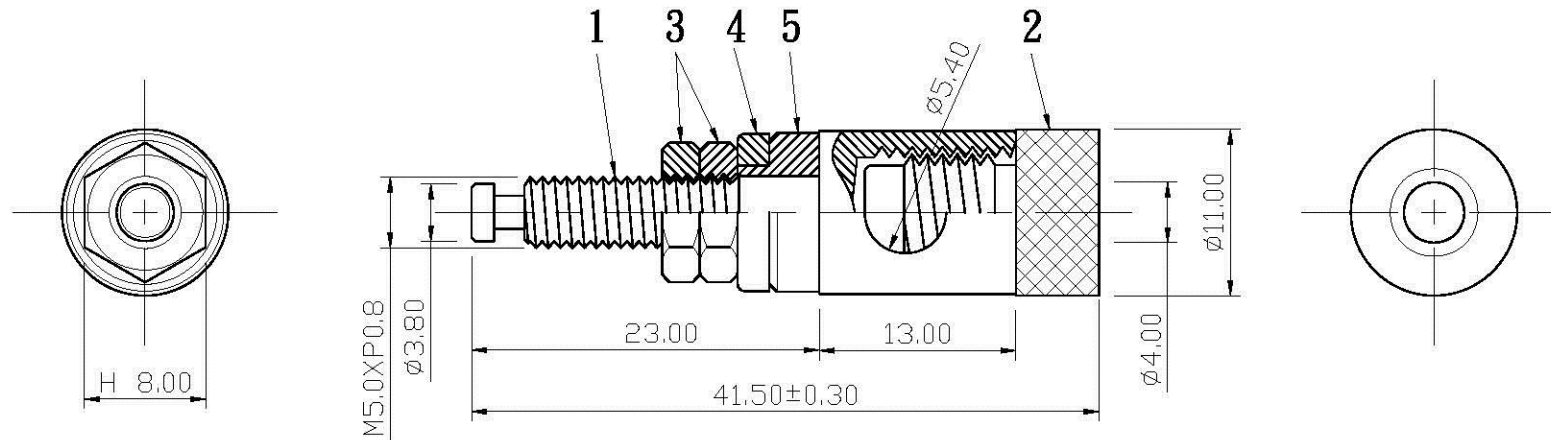


REMARK : RoHS REQUIREMENT APPLIED  
(符合RoHS)



S 1 : 1

NO.	Description	Unit	Materials	Finish	Drawing No.	SCALE	2 : 1	UNIT	MM	DATE	2007. 09. 17		
7						DIMENSIONS ARE IN MILLIMETERS UNLESS OTHERWISE PECIFIED TOLERANCES (一般公差) 0.5~6 = ±0.2 >6~30 = ±0.4 >30~120 = ±0.6 >120~315 = ±1 >315~1000 = ±1.6 ANGLES(角度) = ±5°				APPROVED	 www.allconnectors.de Tel.: 0049 711 7005308 70794 Filzbergstr. 11, Germany info@allconnectors.de Fax: 0049 711 7005304 K11111111.25	TITLE	BINDING POST
6					CHECKED					DRAWING NO.		BI-104GG-SH5.4-RD/BK-20mm	
5	washer	1	plastic	red/black	DRAWN					FILE NO.		DRAWINGAUDIO\BNBI-104GG-SH5.4-RD/BK-20mm	
4	washer	1	plastic	red/black	<i>Lala</i>								
3	hexagon nut	2	brass	gold	DATE								
2	headlock	1	brass	gold									
1	body	1	brass	gold									