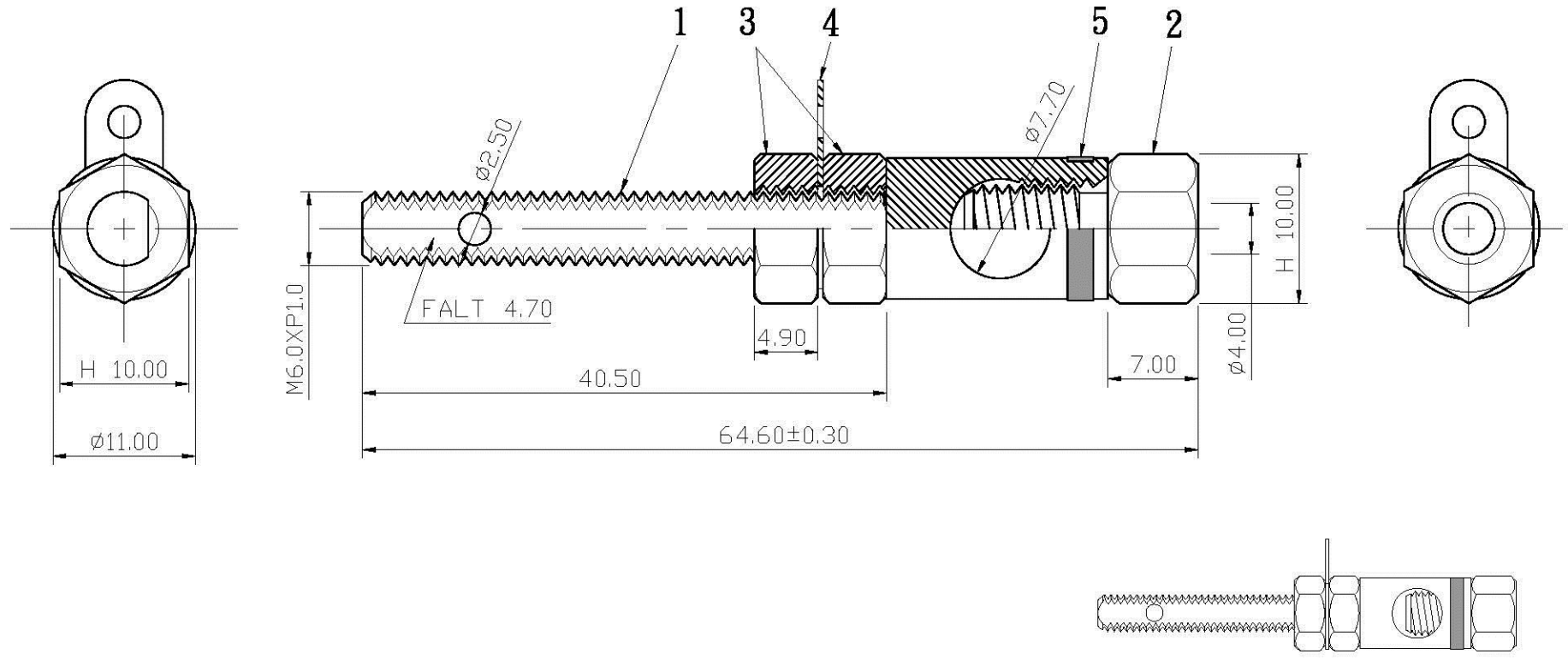



REMARK : RoHS REQUIREMENT APPLIED
(符合RoHS)



S 1 : 1

7						DIMENSIONS ARE IN MILLIMETERS UNLESS OTHERWISE PECIFIED TOLERANCES (一般公差) 0.5-6 = ±0.2 >6-30 = ±0.4 >30-120 = ±0.6 >120-315 = ±1 >315-1000 = ±1.6 ANGLES(角度) = ±5°	APPROVED	 www.allconnectors.de info@allconnectors.de TEL: 0049 711 4092014 FAX: 0049 711 4092016 70741 Eilderstadt - Germany	
6					CHECKED		TITLE		
5	color ring	1	PVC	red/black/blue white/yellow/green			BINDING POST		
4	solder tab	1	brass	gold			DRAWING NO.		
3	hexagon nut	2	brass	gold			BI-101GG-SH7.7-RD/BK/BE/WE/YW/GN-40mm		
2	headlock	1	brass	gold			FILE NO.DRAWINGAUDIO\BIBI-101GG-SH7.7-RD/BK/BE/WE/YW/GN-40mm		
1	body	1	brass	gold		DATE			
NO.	Description	Unit	Materials	Finish	Drawing No.	SCALE 2 : 1	UNIT	MM	2007. 10. 23