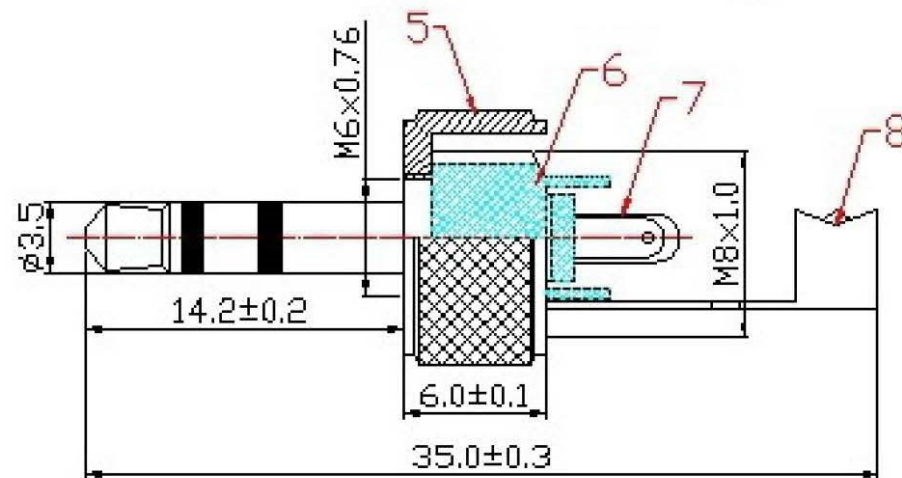


8	CRIMPING PATCH	Cu
7	SOLDERING PATCH	POM
6	DIELECTRIC	POM
5	COPPER HEAD	Cu
4	SPRING	Fe
3	SHELL	Cu
2	DIELECTRIC	POM
1	FRONT POINT	Cu
ITEM	DESIGNATION	MATERIAL



RoHS Compliant

TOLERANCES ARE

All Connectors

DRAWING BY CY

X ±

CHECKED BY GENIUS

X ±

UNIT/mm

SCALE 1:1

.XX ±

DATE

.XXX ±

ANG ±

SIZE A4

P PROJECTION



ORDER INFORMATION

PP-AS-03M-LF

SERIES | LEADFREE
METAL
03WAY
SCREW
ASSEMBLY

www.allconnectors.de

info@allconnectors.de

Tel.: 0049 711 7003503

Fax: 0049 711 7005304

71194 Hilderstadt - Germany

kettenstr. 25

DESCRIPTION: