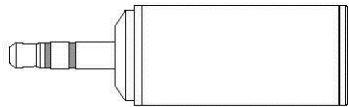
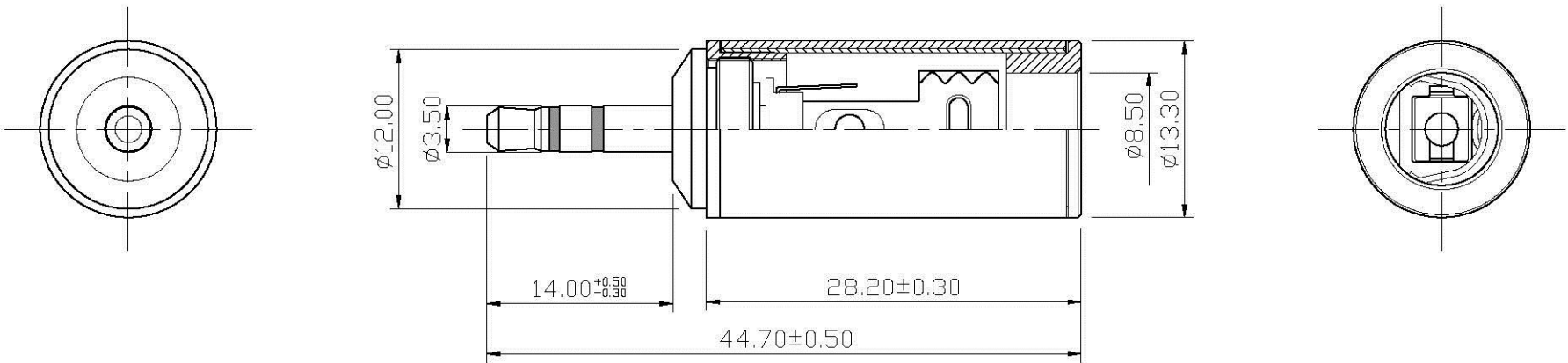


REMARK : RoHS REQUIREMENT APPLIED  
(符合RoHS)



S 1 : 1

| -   | sleeve      | 1    | brass     | gold               |             |
|-----|-------------|------|-----------|--------------------|-------------|
| -   | headlock    | 1    | brass     | gold               |             |
| -   | sleeve      | 1    | brass     | nature             |             |
| -   | shell       | 1    | brass     | black carbon fiber |             |
| -   | clip        | 1    | brass     | gold               |             |
| -   | solder tab  | 1    | brass     | gold               |             |
| -   | solder tab  | 1    | brass     | gold               |             |
| -   | insulator   | 1    | POM       | white              |             |
| -   | insulator   | 1    | POM       | white              |             |
| -   | contact pin | 1    | iron      | gold               |             |
| -   | insulator   | 2    | POM       | black              |             |
| -   | body        | 1    | brass     | gold               |             |
| -   | body        | 1    | brass     | gold               |             |
| -   | body        | 1    | brass     | gold               |             |
| NO. | Description | Unit | Materials | Finish             | Drawing No. |

DIMENSIONS ARE IN MILLIMETERS

UNLESS OTHERWISE PECIFIED TOLERANCES  
(一般公差)  
 0.5~6 =  $\pm 0.2$   
 >6~30 =  $\pm 0.4$   
 >30~120 =  $\pm 0.6$   
 >120~315 =  $\pm 1$   
 >315~1000 =  $\pm 1.6$   
 ANGLES(角度) =  $\pm 5^\circ$

CHECKED

DRAWN  
*Tina*

DATE  
2011. 10. 04

**All Connectors**

www.allconnectors.de info@allconnectors.de  
Tel.: 0049 711 7009502 Fax: 0049 711 7009504  
70754 Filzstact - Germany Kettelerstr. 25

TITLE  
AUDIO PLUG

DRAWING NO.  
AP3.5-4043BKFGG-Stereo-8.5

FILE NO. DRAWINGAUDIOVAPAP3.5-4043BKFGG-Stereo-8.5

SCALE 2 : 1 UNIT MM