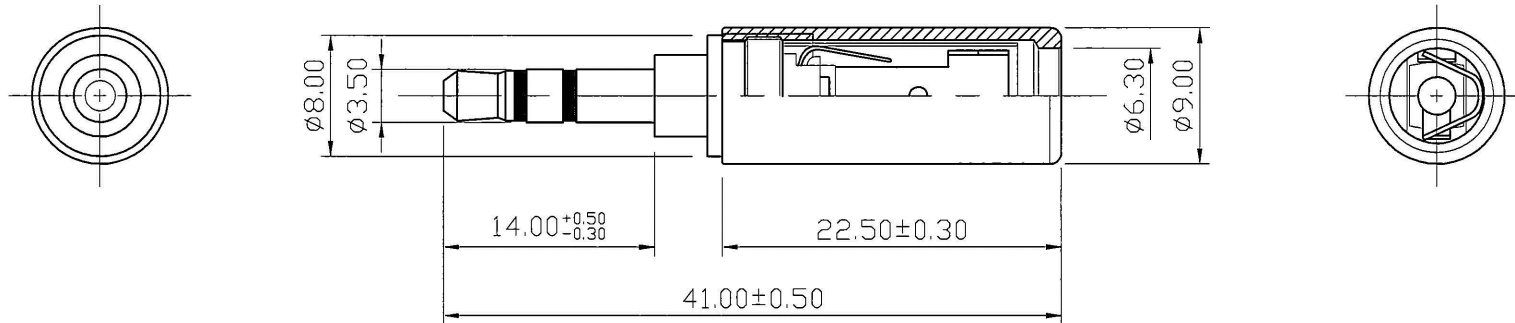


REMARK : RoHS REQUIREMENT APPLIED
(符合RoHS)



-	sleeve	1	PVC	transparent	
-	shell	1	brass	matte black coated	
-	clip	1	brass	gold	
-	insulator	1	POM	white	
-	insulator	1	POM	white	
-	insulator	1	POM	black	
-	insulator	1	POM	black	
-	solder tab	1	brass	gold	
-	solder tab	1	brass	gold	
-	contact pin	1	brass	gold	
-	body	1	brass	gold	
-	body	1	brass	gold	
-	body	1	brass	gold	
-	body	1	brass	gold	
NO.	Description	Unit	Materials	Finish	Drawing No.

DIMENSIONS ARE IN
MILLIMETERS
UNLESS OTHERWISE PECIFIED
TOLERANCES
(一般公差)
0.5~6 = ±0.2
>6~30 = ±0.4
>30~120 = ±0.6
>120~315 = ±1
>315~1000 = ±1.6
ANGLES(角度) = ±5°

CHECKED

研發部經理
2013-10-9
郭姿良

DRAWN

Jim

DATE

2013.07.05

Allconnectors

www.allconnectors.de
Tel.: 0049 711 7009503
70794 Filderstadt - Germany

info@allconnectors.de
Fax: 0049 711 7009504
Kettenerstr. 25

TITLE

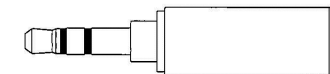
AUDIO PLUG

DRAWING NO.

AP3.5-206MBCG-Stereo-6.3

FILE NO.

DRAWING\AUDIO\AP\AP3.5-206MBCG-Stereo-6.3



S 1 : 1