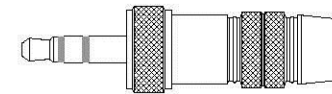
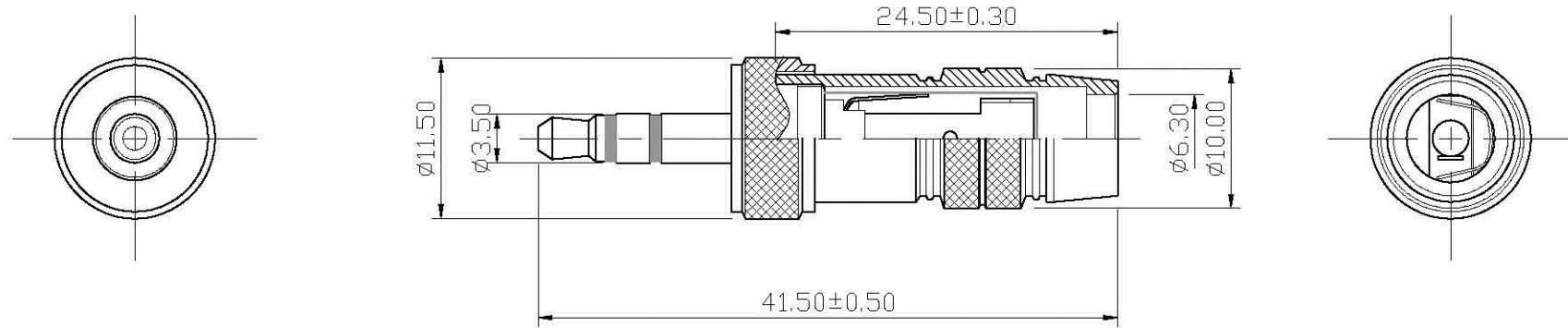


REMARK : RoHS REQUIREMENT APPLIED
(符合RoHS)



S 1 : 1

-	clip	1	brass	gold	
-	solder tab	1	brass	gold	
-	solder tab	1	brass	gold	
-	sleeve	1	PVC	transparent	
-	contact pin	1	iron	gold	
-	shell	1	brass	black E-coated	
-	shell	1	brass	black E-coated	
-	insulator	1	POM	white	
-	insulator	1	POM	white	
-	insulator	2	POM	black	
-	body	1	brass	gold	
-	body	1	brass	gold	
-	body	1	brass	gold	
NO.	Description	Unit	Materials	Finish	Drawing No.

DIMENSIONS ARE IN
MILLIMETERS

UNLESS OTHERWISE PECIFIED
TOLERANCES
(一般公差)
0.5~6 = ±0.2
>6~30 = ±0.4
>30~120 = ±0.6
>120~315 = ±1
>315~1000 = ±1.6
ANGLES(角度) = ±5°

CHECKED

DRAWN

Jim

DATE

2011. 02. 16

Allconnectors

www.allconnectors.de
Tel.: 0049 711 7009503
A-791 Filderstadt - Germany

info@allconnectors.de
Fax: 0049 711 7009504
Kettenerstr. 25

TITLE

AUDIO PLUG

DRAWING NO.

AP3.5-203BPG-Stereo-6.3

FILE NO. DRAWING\CUSTOMER\A251-K464\K464-AP3.5-203BPG-Stereo-6.3

SCALE 2 : 1 UNIT MM