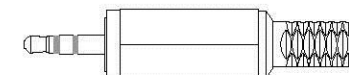
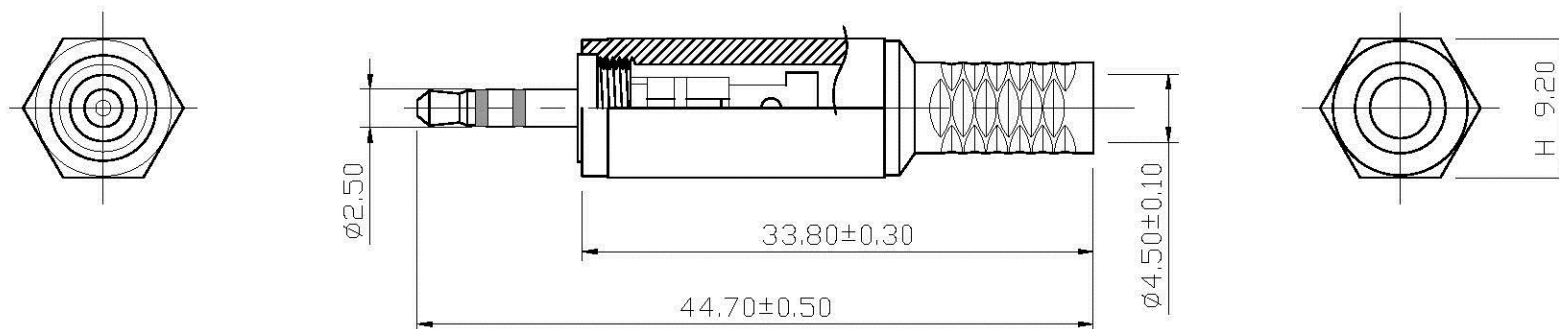


No.	DATE	DESCRIPTION	REV
△	2009. 06. 30	Drawing to renew 圖面更新	A

REMARK : RoHS REQUIREMENT APPLIED
(符合RoHS)



S 1 : 1

-	insulator	1	POM	black	
-	clip	1	brass	nickel	
-	insulator	2	ABS	black	
-	shell	1	plastic	black	
-	contact pin	1	iron	nickel	
-	body	1	brass	nickel	
-	body	1	brass	nickel	
-	body	1	brass	nickel	
NO.	Description	Unit	Materials	Finish	Drawing No.

DIMENSIONS ARE IN
MILLIMETERS

UNLESS OTHERWISE SPECIFIED
TOLERANCES
(一般公差)
0.5~6 = ± 0.2
>6~30 = ± 0.4
>30~120 = ± 0.6
>120~315 = ± 1
>315~1000 = ± 1.6
ANGLES(角度) = $\pm 5^\circ$

APPROVED

CHECKED

DRAWN

Lala

DATE

2007. 09. 21

Allconnectors

www.allconnectors.de
Tel.: 0049 711 7009508
Allconnectors GmbH
40794 Hildenstadt - Germany

info@allconnectors.de
Fax: 0049 711 7009504
Kettenerstr. 2a

TITLE

AUDIO PLUG

DRAWING NO.

AP2.5-251BKPLN-Stereo-4.5

FILE NO. DRAWINGAUDIO\AP\AP2.5-251BKPLN-Stereo-4.5

SCALE 2 : 1 UNIT MM