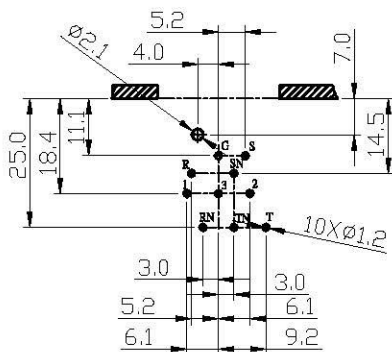
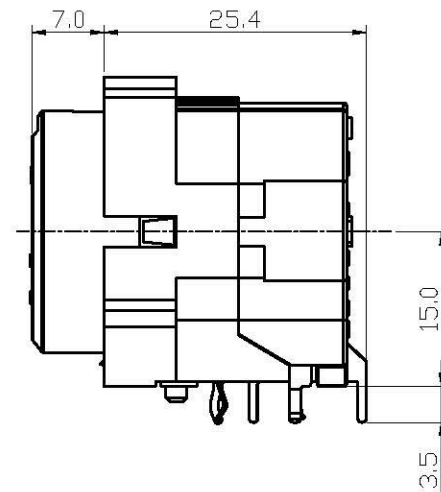
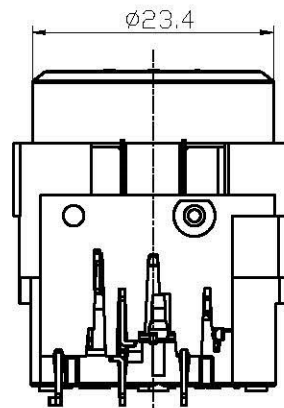
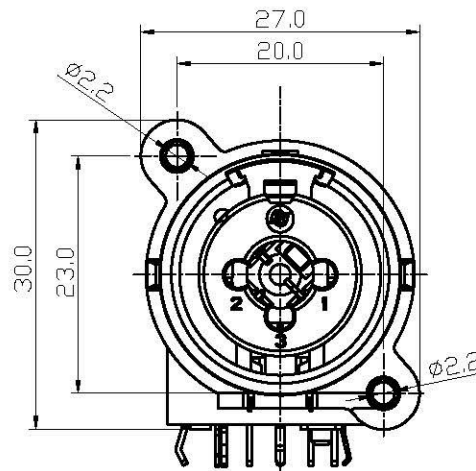


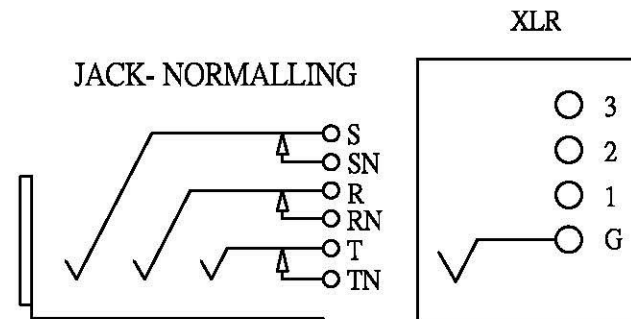
Panel cut out (front side)



PCB-LAYOUT (component side)
(SCALE 3:1)



NORMALLING-SCHEMES



HPJ-RPE-03-LF
LEADFREE

RoHS Compliant

11	GROUND	1	P.B.S.	Ag
10	SPRING	1	SUS	
9	XLR CONTACT	3	P.B.S.	Au
8	RING SHUNT	1	BRASS	Au
7	TIP SHUNT	1	BRASS	Au
6	SLEEVE SHUNT	1	BRASS	Au
5	RING	1	P.B.S.	Ag
4	TIP	1	P.B.S.	Ag
3	SLEEVE	1	P.B.S.	Ag
2	BACK COVER	1	NYLON	BLACK
1	BODY	1	NYLON	BLACK
NO	PART NAME	Q'TA	MATERIAL	PLATING&COLOR

All Connectors

www.allconnectors.de
Tel.: 0049 711 7009503
70794 Filderstadt - Germany

info@allconnectors.de
Fax: 0049 711 7009504
Kettnerstr. 25

PART NO. HPJ-RPE-03

DWG NO. HPJ-RPE-03

FILE NO.

UNIT / mm

SCALE 1:1

CHECKED BY CY

DRAWING BY

PROJECTION



TOLERANCES ARE

.X ±
.XX ±
.XXX ±
AWG

DESCRIPTION:

AREA

REVISIONS

HK

DATE