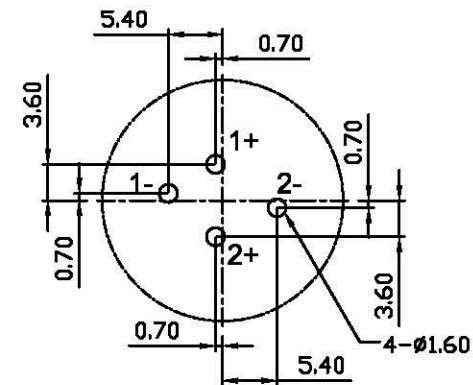


PANEL CUTOUT
REAR SIDE(±0.1)



P.C.B LAYOUT(±0.1)

HPJ-DPQ-04-LF
LEADFREE

RoHS Compliant

NO	PART NAME	Q'TY	MATERIAL	PLATED	REMARK
5	SPRING RING	1	RUBBER		BLACK
4	COVER	1	PA66/GF30%-94HB		BLACK
3	HOUSING	1	PA66/GF30%-94HB		BLACK
2	CONTACTS	4	P.B.S	SILVER	
1	EARTH TERMINAL	1	SK7A	NICKEL	

Allconnectors

www.allconnectors.de
tel.: 0049 711 7095009
40 748 1 Hildersdorf - Germany

info@allconnectors.de
fax: 0049 711 7095004
ketter@connectors.de

PART NO. HPJ-DPQ-04

DWG NO. HPJ-DPQ-04

FILE NO.

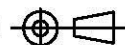
UNIT / mm

SCALE 1:1

CHECKED BY CY

DRAWING BY

PROJECTION



TOLERANCES ARE

.X±0.2
.XX±0.1
.XXX±
AWG

DESCRIPTION:

**HIGH POWER
4 PIN CONNECTOR**

AREA

REVISIONS

HK

DATE