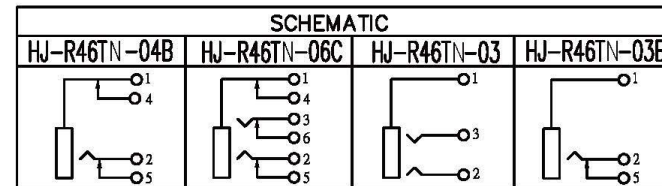


T:1.6 Dimensions of PC board holes

Tolerance : ±0.1(Printed-top view)

UNLESS OTHERWISE SPECIFIED, TOLERANCE ON DECIMAL: ±0.3



7	CONTACT FOOT	1	BRASS	MB:Cu Cu/Sn PLATED
6	SPRING	1	PHOSPHOR BRONZE	MB:Cu Cu/Sn PLATED
5	CONTACT FOOT	1	BRASS	MB:Cu Cu/Sn PLATED
4	SPRING	1	PHOSPHOR BRONZE	MB:Cu Cu/Sn PLATED
3	CONTACT FOOT	1	BRASS	MB:Cu Cu/Sn PLATED
2	SPRING	1	PHOSPHOR BRONZE	MB:Cu Cu/Sn PLATED
1	HOUSING	1	PC	
LTR	PART NAME	QTY	MATERIAL	REMARK

RoHS Compliant

All Connectors

www.allconnectors.de info@allconnectors.de
 Tel.: 0049 711 7009503 Fax: 0049 711 7009504
 70794 Filderstadt - Germany Kettenerstr. 25

DRAWING BY CY
 CHECKED BY GENIUS
 UNIT/mm SCALE 1:1
 DATE
 SIZE A4 PROJECTION

TOLERANCES ARE
 X ±
 .X ±
 .XX ±
 .XXX ±
 ANG ±

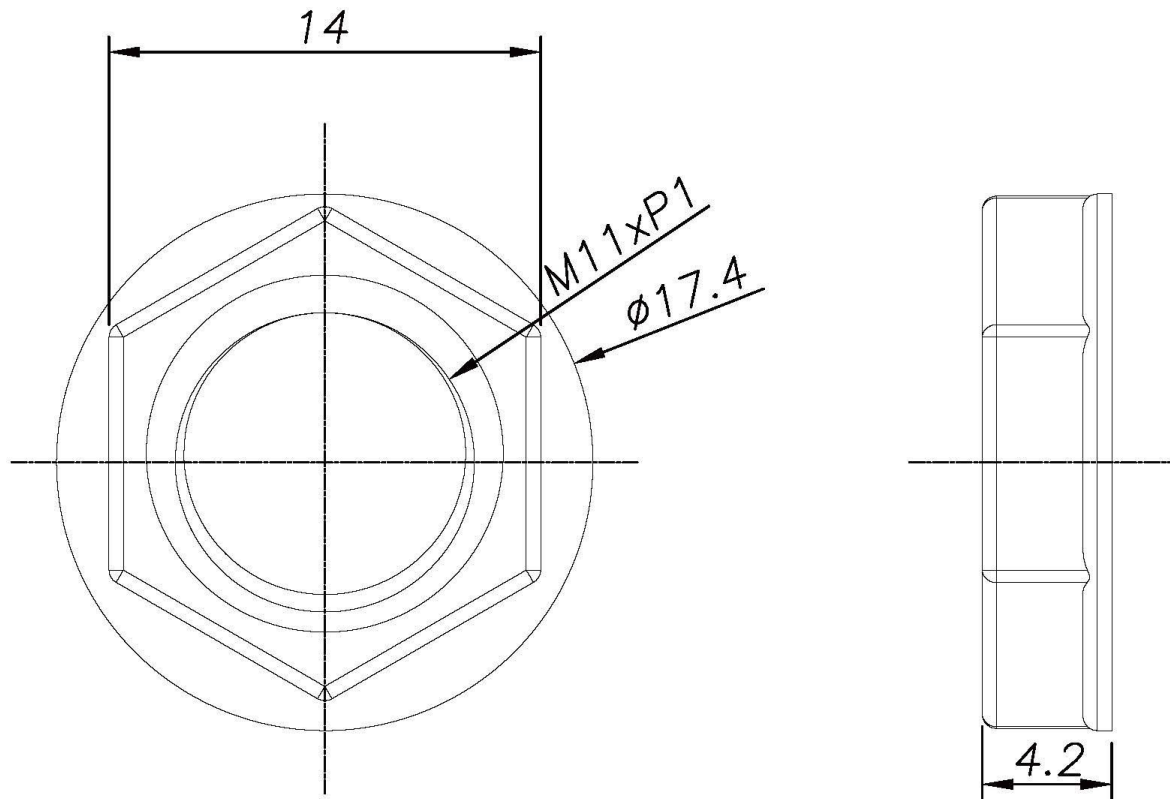


ORDER INFORMATION

HJ-R46TN-xxx-LF

SERIES | DIP 90° | NUT | THREAD 4.2+6.3mm | LEADFREE | SCHEMATIC

DESCRIPTION: PHONE JACK



UNLESS OTHERWISE SPECIFIED, TOLERANCE ON DECIMAL: ± 0.3

1	SLEEVE NUT	1	PBT 4815	UL-94V0(BLACK)
LTR	PART NAME	QTY	MATERIAL	REMARK

RoHS Compliant

All Connectors

www.allconnectors.de
Tel.: 0049 711 7009503
70794 Filderstadt - Germany

info@allconnectors.de
Fax: 0049 711 7009504
Kettenerstr. 25

DRAWING BY CY
CHECKED BY GENIUS
UNIT/mm SCALE 1:1
DATE
SIZE A4

TOLERANCES ARE
X \pm
.X \pm
.XX \pm
.XXX \pm
ANG \pm

PJECTION



ORDER INFORMATION

HJ-R46TN-xxx-LF

SERIES | DIP 90° | NUT | SCHEMATIC | LEADFREE | THREAD 4.2+6.3mm

DESCRIPTION: PHONE JACK