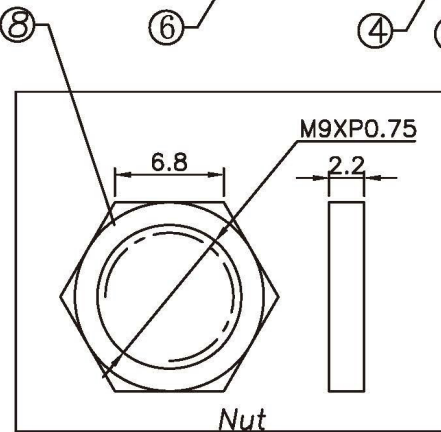
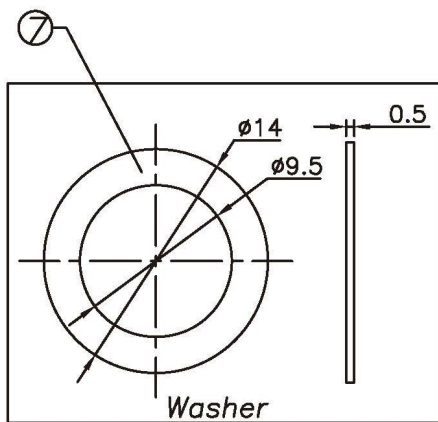
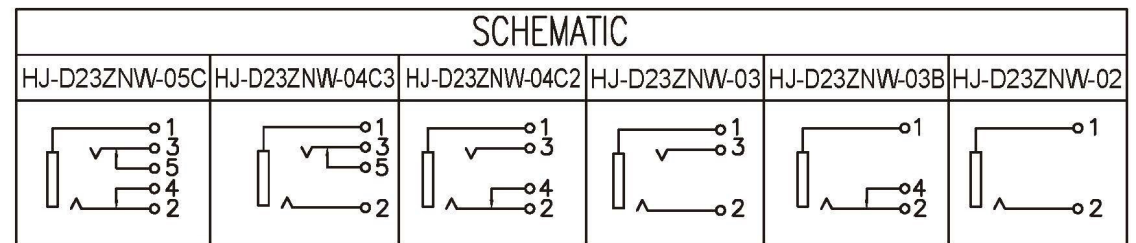


T:1.6 Dimensions of PC board holes
Tolerance : ±0.1(Printed-top view)



8	NUT	1	C2680	MB:Cu	Ni	PLATED
7	WASHER	1	IRON	MB:Cu	Ni	PLATED
6	HOUSING	1	PA66	UL-94HB		
5	CURVE PIECE	1	C2680	MB:Ni	Ag	PLATED
4	SPRING	1	C5191	MB:Ni	Ag	PLATED
3	CURVE PIECE	1	C2680	MB:Ni	Ag	PLATED
2	SPRING	1	C5191	MB:Ni	Ag	PLATED
1	CONTACT FOOT	1	C5191	MB:Ni	Ag	PLATED
LTR	PART NAME	QTY	MATERIAL	REMARK		



UNLESS OTHERWISE SPECIFIED, TOLERANCE ON DECIMAL: ±0.3

RoHS Compliant

DRAWING BY CY

CHECKED BY GENIUS

UNIT / mm SCALE 1 : 1

DATE

SIZE A4 PROJECTION

TOLERANCES ARE

X ±

.X ±

.XX ±

.XXX ±

ANG ±

All Connectors

www.allconnectors.de

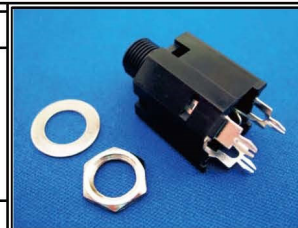
Tel.: 0049 711 7009503

70794 Filderstadt - Germany

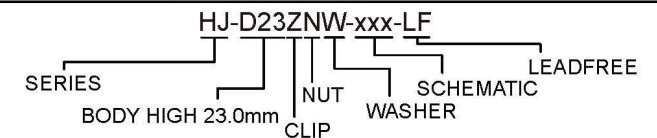
info@allconnectors.de

Fax: 0049 711 7009504

Kettenerstr. 25



ORDER INFORMATION



DESCRIPTION: PHONE JACK