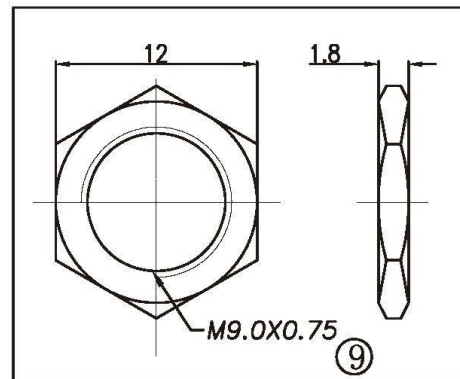
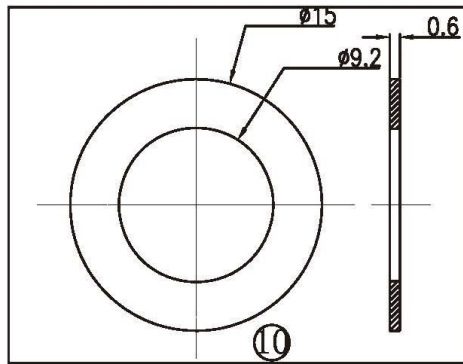
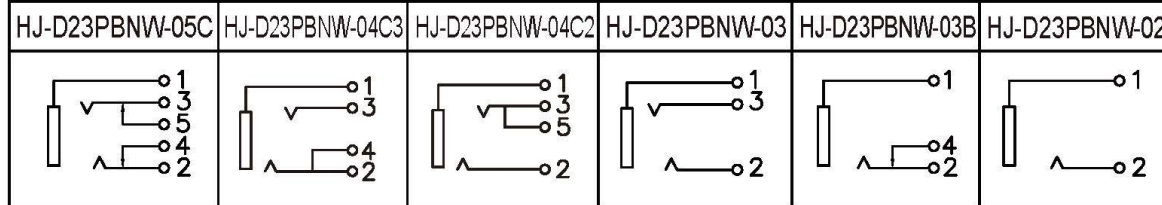


T:1.6 Dimensions of PC board holes  
Tolerance : ±0.1(Printed-top view)



10	WASHER	1	IRON	MB:Cu Ni PLATED
9	NUT	1	C2680	MB:Cu Ni PLATED
8	BUSHING-2	1	C2680	MB:Cu Ni PLATED
7	SHUNT TERMINAL	1	C2680	MB:Ni Ag PLATED
6	SHUNT TERMINAL	1	C2680	MB:Ni Ag PLATED
5	RING SPRING	1	C5191	MB:Ni Ag PLATED
4	TIP SPRING	1	C5191	MB:Ni Ag PLATED
3	EARTH TERMINAL	1	C2680	MB:Ni Ag PLATED
2	BUSHING-1	1	ABS	UL-94HB(BLACK)
1	HOUSING	1	ABS	UL-94HB(BLACK)
LTR	PART NAME	QTY	MATERIAL	REMARK

### SCHEMATIC



UNLESS OTHERWISE SPECIFIED, TOLERANCE ON DECIMAL: ±0.3

**All Connectors**

www.allconnectors.de info@allconnectors.de  
Tel.: 0049 711 7009503 Fax: 0049 711 7009504  
70794 Filderstadt - Germany Kettenerstr. 25

**RoHS Compliant**

DRAWING BY CY  
CHECKED BY GENIUS  
UNIT/ mm SCALE 1 : 1  
DATE  
SIZE A4

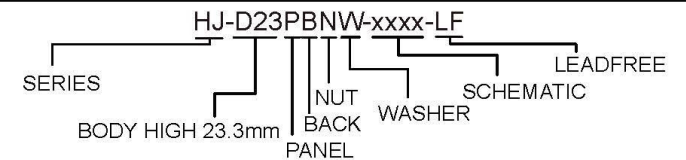
TOLERANCES ARE

X ±  
X ±  
.XX ±  
.XXX ±  
ANG ±

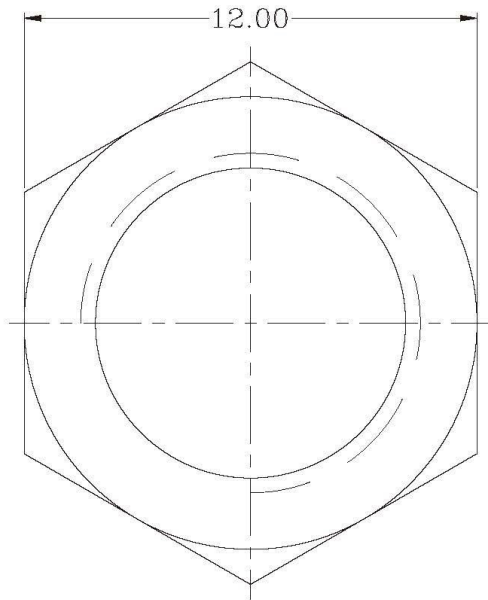
PJECTION



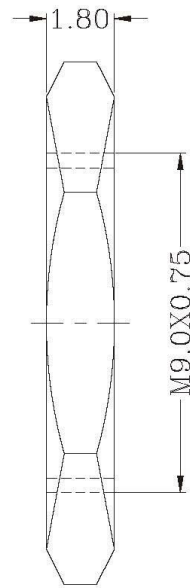
### ORDER INFORMATION



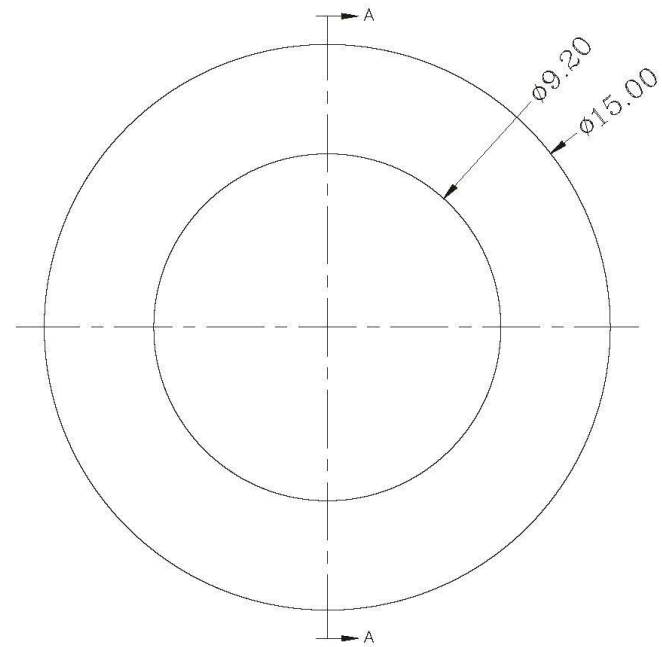
DESCRIPTION: PHONE JACK



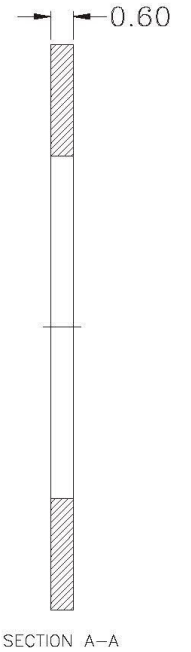
UNLESS OTHERWISE SPECIFIED, TOLERANCE ON DECIMAL: ±0.2



NUT



UNLESS OTHERWISE SPECIFIED, TOLERANCE ON DECIMAL: ±0.2



SECTION A-A

Washer

**All Connectors**

www.allconnectors.de info@allconnectors.de  
Tel.: 0049 711 7009503 Fax: 0049 711 7009504  
70794 Filderstadt - Germany Kettnerstr. 25

**RoHS Compliant**

DRAWING BY CY  
CHECKED BY GENIUS  
UNIT / mm SCALE 1 : 1  
DATE  
SIZE A4

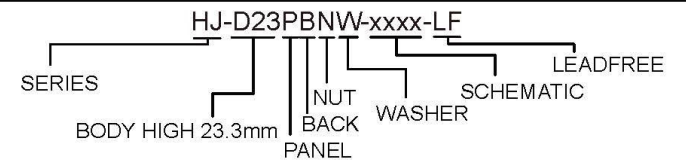
TOLERANCES ARE

X ±  
.X ±  
.XX ±  
.XXX ±  
ANG ±

PROJECTION



**ORDER INFORMATION**



DESCRIPTION: