

T:1.6 Dimensions of PC board holes
Tolerance : ±0.1(Printed-top view)

SCHEMATIC				
PJ-W37R-05C	PJ-W37R-04CR	PJ-W37R-04CL	PJ-W37R-03	PJ-W37R-03B

7	CURVE PIECE	1	BRASS	MB:Cu Ag(Au) PLATED
6	SPRING	1	PHOSPHOR BRONZE	MB:Cu Ag(Au) PLATED
5	CURVE PIECE	1	BRASS	MB:Cu Ag(Au) PLATED
4	2#CONTACT FOOT	1	ALOARY	MB:Cu Ag(Au) PLATED
3	1#CONTACT FOOT	1	ALOARY	MB:Cu Ag(Au) PLATED
2	COVER	1	PA66/PA46	UL-94V-0
1	HOUSING	1	PA66/PA46	UL-94V-0
LTR	PART NAME	QTY	MATERIAL	REMARK

UNLESS OTHERWISE SPECIFIED, TOLERANCE ON DECIMAL: ±0.2

All Connectors
 www.allconnectors.de
 Tel.: 0049 711 7009503
 70794 Filderstadt - Germany

info@allconnectors.de
 Fax: 0049 711 7009504
 Kettnerstr. 25

RoHS Compliant

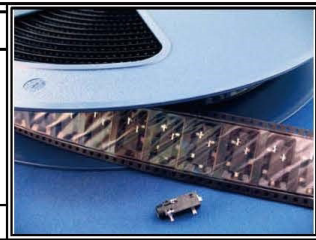
DRAWING BY CY
 CHECKED BY GENIUS

UNIT/ mm SCALE 1:1

DATE

SIZE A4 PROJECTION

TOLERANCES ARE
 X ±
 .X ±
 .XX ±
 .XXX ±
 ANG ±



ORDER INFORMATION

PJ-W37R-xx-LF

SERIES | LEADFREE
 | SCHEMATIC
 | REEL
 | POST 3.5+7.0mm
 | 90°SMT

DESCRIPTION:

1 Space=1 pcs

1 Film packing box=1×500pcs
=500pcs

1 Big Carton=10×500pcs=5000pcs

1 Film packing box Dimension
=L×W×H
=8600×32×6.6

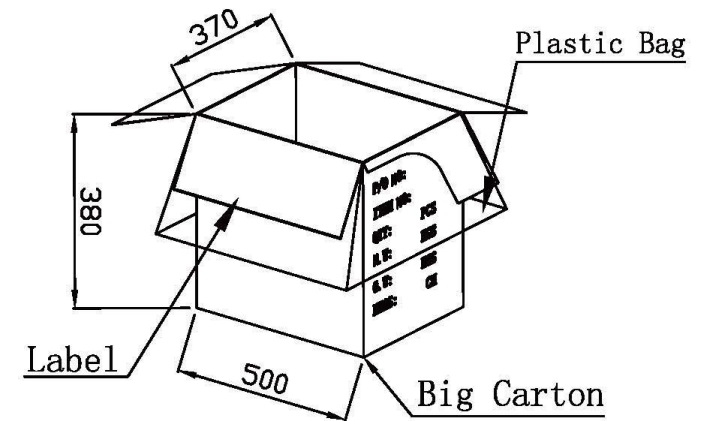
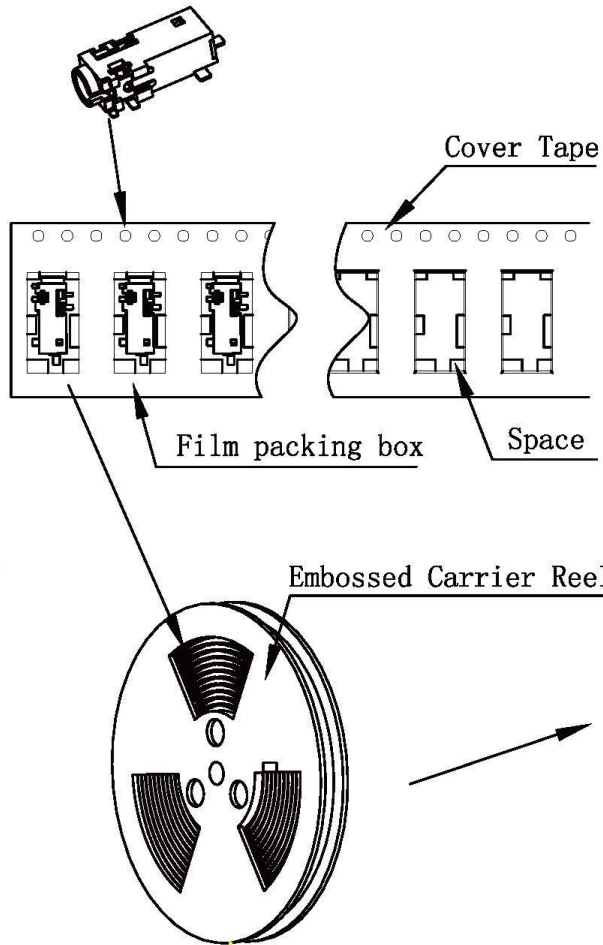
The thickness of the film=0.4mm

1 Cover tape Dimension
=L×W×H
=8600×25×0.06

1 Embossed Carrier Reel Dimension
=D×H
=330×37.1

1 Plastic Bag Dimension
=L×W×D
=1000×1100×0.06

1 Big Carto Dimension
=L×W×H
=500×370×380



淨重:7.5kg

毛重:9.5kg

單位:mm

All Connectors

www.allconnectors.de info@allconnectors.de
Tel.: 0049 711 7009503 Fax: 0049 711 7009504
70794 Filderstadt - Germany Kettnerstr. 25

RoHS Compliant

DRAWING BY CY
CHECKED BY GENIUS
UNIT/ mm SCALE 1:1
DATE
SIZE A4 PROJECTION

TOLERANCES ARE

X.±
.X±
.XX±
.XXX±
ANG ±



ORDER INFORMATION

PJ-W37R-xx-LF
SERIES | LEADFREE
SCHEMATIC
REEL
POST 3.5+7.0mm
90°SMT

DESCRIPTION: