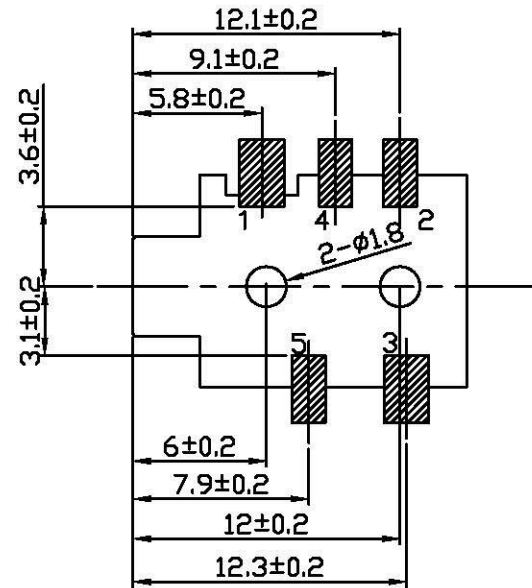
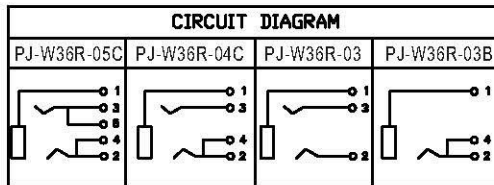


* REVISIONS				
LTR	DESCRIPTION	DATE	REVISED	APPROVED
	改塑膠底蓋材料為LCP	2007.3.23	HULUN	GIEVEN



T:1.6 Dimensions of PC board holes
Tolerance : ±0.1(Printed-top view)

PJ-W36R-xx-LF
LEADFREE
RoHS Compliant



UNLESS OTHERWISE SPECIFIED, TOLERANCE ON DECIMAL: ±0.2

6	HOUSING	1	PA9T	UL-94V0(BLACK)
5	COVER	1	LCP	UL-94V0(BLACK)
4	TERMINAL	2	C2680 t=0.30	MB:Cu Ag Plated
3	SPRING TERMINAL	1	C5191 t=0.20	MB:Cu Ag Plated
2	SPRING TERMINAL	1	C5191 t=0.20	MB:Cu Ag Plated
1	CONTACT FOOT	1	C5191 t=0.30	MB:Cu Ag Plated
LTR	PART NAME	QTY	MATERIAL	REMARK

Allconnectors

www.allconnectors.de
Tel.: 0049 731 4009003
73142 Alderstadt - Germany

info@allconnectors.de
Fax: 0049 731 4009004
Kettnerstr. 25

PART NO. PJ-W36R-xx

DWG NO. PJ-W36R-xx

FILE NO.

UNIT / mm

SCALE 1:1

CHECKED BY CY

DRAWING BY

PROJECTION

TOLERANCES ARE

.X±0.2
.XX±
.XXX±
AWG

DESCRIPTION: MINIATURE JACK

AREA

REVISIONS

HK

DATE

1 Space=1 pcs

1 Film packing box=1×600pcs
=600pcs

1 Big Carton=13×600pcs=7800pcs

1 Film packing box Dimension
=L×W×H
=10200×24×6.9

The thickness of the film=0.4mm

1 Cover tape Dimension

=L×W×H
=10200×21.3×0.06

1 Embossed Carrier Reel Dimension

=D×H
=330×29.1

1 Plastic Bag Dimension

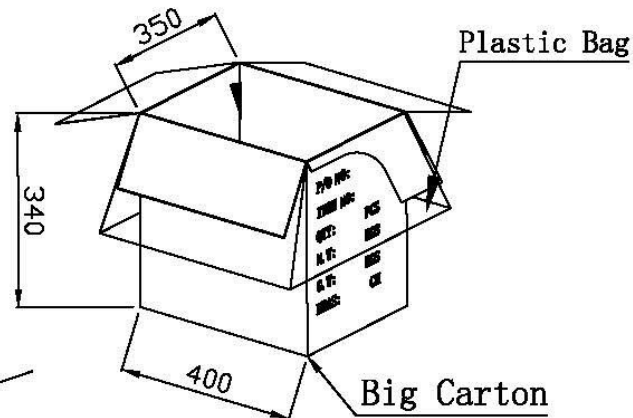
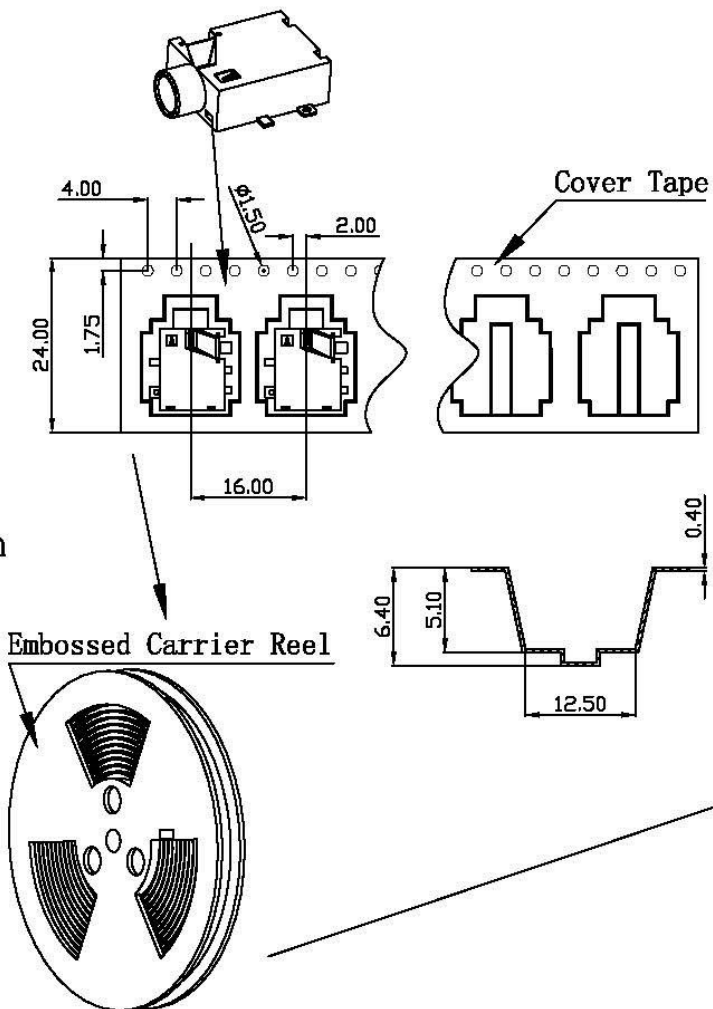
=L×W×D
=1000×1100×0.06

1 Big Carto Dimension

=L×W×H
=400×350×340

Unit:mm

Total weight:11Kg
Net weight: 5.5Kg



Allconnectors

www.allconnectors.de
Tel: 0049 711 200900
20761 Kildarestr. Germany

info@allconnectors.de
Fax: 0049 711 200904
Kildarestr. 20

PART NO. PJ-W36R-xx

DWG NO. PJ-W36R-xx

FILE NO.

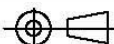
UNIT / mm

SCALE 1:1

CHECKED BY CY

DRAWING BY

PROJECTION



TOLERANCES ARE

.X ±
.XX ±
.XXX ±
AWG

DESCRIPTION:

AREA

REVISIONS

HK

DATE