

T:1.6 Dimensions of PC board holes  
Tolerance : ±0.1(Printed-top view)

SCHEMATIC			
PJ-W27B2-06D	PJ-W27B2-05D3	PJ-W27B2-05D2	PJ-W27B2-04

7	HOUSING	1	PA9T		UL-94V0(BLACK)
6	CONTACT FOOT	1	C2680	t=0.20	MB:Ni Au PLATED
5	CURVE PIECE	1	C5191	t=0.20	MB:Ni Au PLATED
4	CURVE PIECE	1	C5191	t=0.20	MB:Ni Au PLATED
3	SPRING FOOT	1	C5191	t=0.20	MB:Ni Au PLATED
2	SPRING FOOT	1	C5191	t=0.20	MB:Ni Au PLATED
1	CONTACT FOOT	1	C5191	t=0.20	MB:Ni Au PLATED
LTR	PART NAME	QTY	MATERIAL		REMARK

UNLESS OTHERWISE SPECIFIED, TOLERANCE ON DECIMAL: ±0.2

**All Connectors**  
 www.allconnectors.de  
 Tel.: 0049 711 7009503  
 70794 Filderstadt - Germany

info@allconnectors.de  
 Fax: 0049 711 7009504  
 Kettenerstr. 25

**RoHS Compliant**

DRAWING BY CY  
 CHECKED BY GENIUS

UNIT/ mm SCALE 1:1  
 DATE

SIZE A4 PROJECTION

TOLERANCES ARE  
 X ±  
 .X ±  
 .XX ±  
 .XXX ±  
 ANG ±



**ORDER INFORMATION**

PJ-W27B2R-xxx-LF

SERIES 90°SMT LEADFREE SCHEMATIC REEL BUSHING 2.0mm POST 2.4+7.0mm

**DESCRIPTION:**

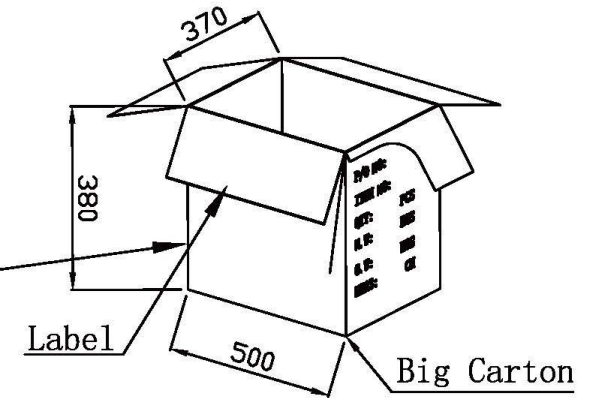
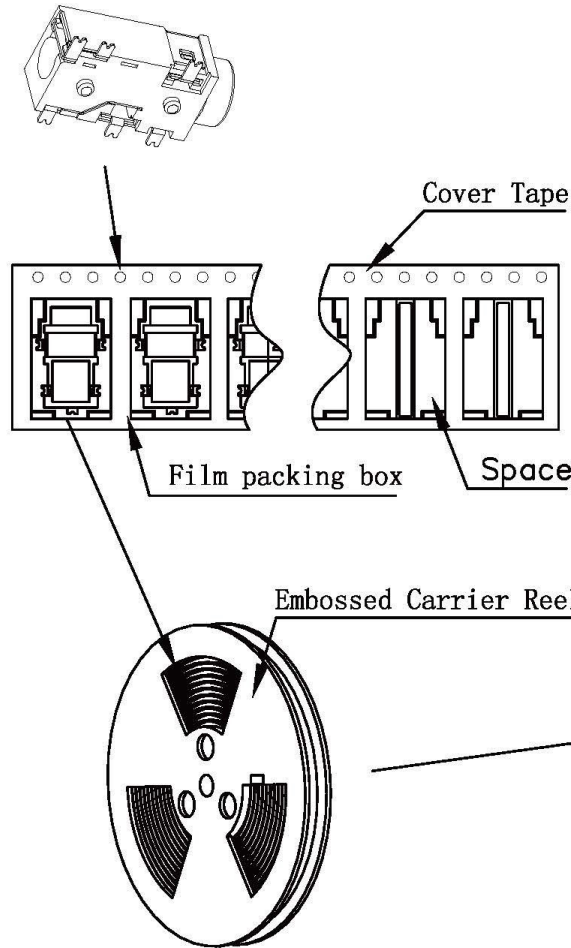
卷帶尺寸  
=L\*W\*H  
=8600\*32\*7.85

一. 卷帶  
=700pcs/卷

二. 紙箱  
=14X700PCS  
=9800PCS

淨重:10.8kg  
毛重:12.8kg

單位:mm



<p>www.allconnectors.de Tel.: 0049 711 7009503 70794 Filderstadt - Germany</p> <p>info@allconnectors.de Fax: 0049 711 7009504 Kettenerstr. 25</p>	<b>RoHS Compliant</b>		<b>TOLERANCES ARE</b> X ± .X ± .XX ± .XXX ± ANG ±
	DRAWING BY CY		
	CHECKED BY GENIUS		
	UNIT/mm	SCALE 1:1	
	DATE		
SIZE A4	PROJECTION		



<b>ORDER INFORMATION</b>			
PJ-W27B2R-xxx-LF			
SERIES	90°SMT	REEL	LEADFREE SCHEMATIC
		BUSHING 2.0mm	POST 2.4+7.0mm
<b>DESCRIPTION:</b>			