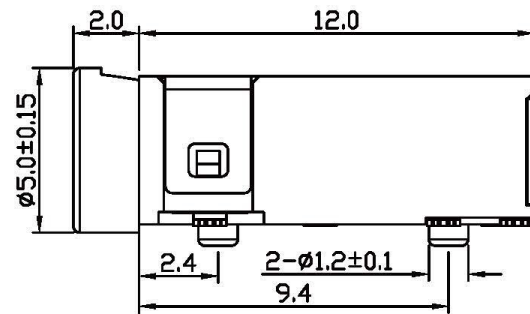
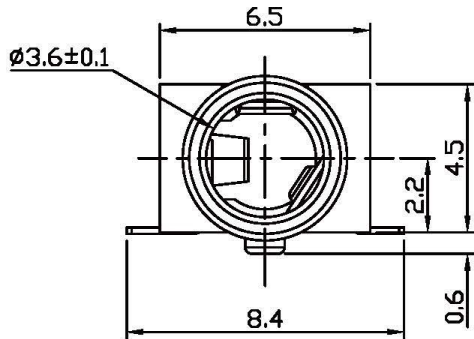


T:1.6 Dimensions of PC board holes
Tolerance : ±0.1(Printed-top view)



SCHEMATIC			
PJ-W27B2-06D	PJ-W27B2-05D3	PJ-W27B2-05D2	PJ-W27B2-04

UNLESS OTHERWISE SPECIFIED, TOLERANCE ON DECIMAL: ±0.2

7	HOUSING	1	PA9T	UL-94V0(BLACK)
6	CONTACT FOOT	1	C2680 t=0.20	MB:Ni Au PLATED
5	CURVE PIECE	1	C5191 t=0.20	MB:Ni Au PLATED
4	CURVE PIECE	1	C5191 t=0.20	MB:Ni Au PLATED
3	SPRING FOOT	1	C5191 t=0.20	MB:Ni Au PLATED
2	SPRING FOOT	1	C5191 t=0.20	MB:Ni Au PLATED
1	CONTACT FOOT	1	C5191 t=0.20	MB:Ni Au PLATED
LTR	PART NAME	QTY	MATERIAL	REMARK

All Connectors

www.allconnectors.de info@allconnectors.de
Tel.: 0049 711 7009503 Fax: 0049 711 7009504
70794 Filderstadt - Germany Kettenerstr. 25

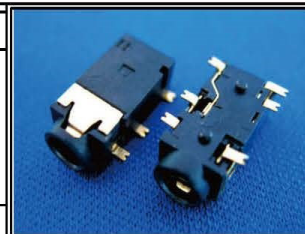
RoHS Compliant

DRAWING BY CY
CHECKED BY GENIUS
UNIT/mm SCALE 1:1
DATE
SIZE A4

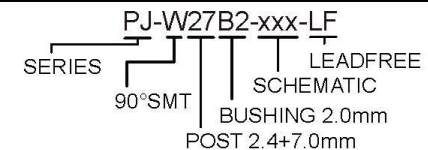
TOLERANCES ARE

X.±
.X±
.XX±
.XXX±
ANG ±

PJECTION



ORDER INFORMATION



DESCRIPTION: