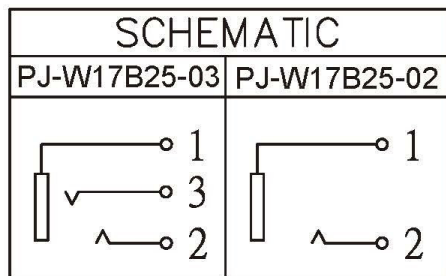
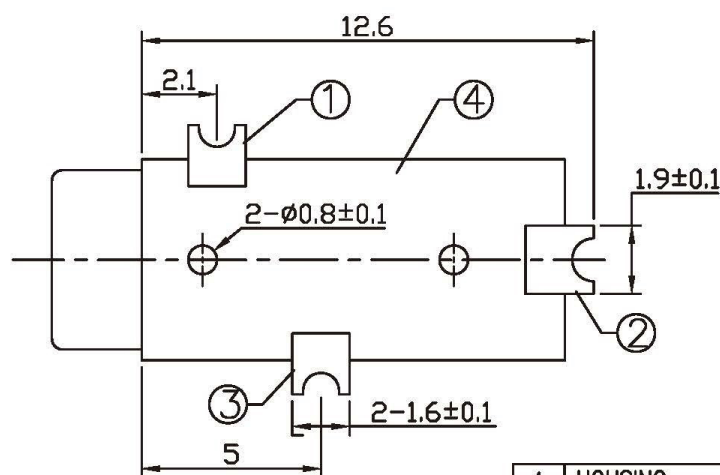


T:1.6 Dimensions of PC board holes
Tolerance : ±0.1(Printed-top view)



4	HOUSING	1	PA9T	UL-94V0(BLACK)
3	CONTACT FOOT	1	C5191	MB:Ni Ag PLATED
2	CONTACT FOOT	1	C5191	MB:Ni Ag PLATED
1	CONTACT FOOT	1	C5191	MB:Ni Ag PLATED
LTR	PART NAME	QTY	MATERIAL	REMARK

UNLESS OTHERWISE SPECIFIED, TOLERANCE ON DECIMAL: ±0.2

All Connectors

www.allconnectors.de
Tel.: 0049 711 7009503
70794 Filderstadt - Germany

info@allconnectors.de
Fax: 0049 711 7009504
Kettnerstr. 25

RoHS Compliant

DRAWING BY CY
CHECKED BY GENIUS
UNIT/mm SCALE 1:1
DATE
SIZE A4

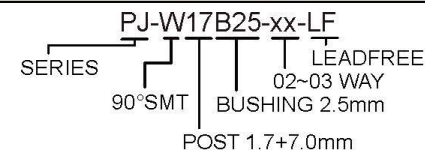
TOLERANCES ARE

X.±
.X±
.XX±
.XXX±
ANG±

PJECTION



ORDER INFORMATION



DESCRIPTION: MINIATURE JACK