

T:1.6 Dimensions of PC board holes
Tolerance : ± 0.1 (Printed-top view)

SCHEMATIC

PJ-R35T3-05C	PJ-R35T3-04R	PJ-R35T3-04L	PJ-R35T3-03	PJ-R35T3-03B

UNLESS OTHERWISE SPECIFIED, TOLERANCE ON DECIMAL: ± 0.3

8	HOUSING	1	PBT 4815	UL-94V0
7	COVER	1	PBT 4815	UL-94V0
6	AXIS SUPPORT	1	H59(COPPER ALLOY)	MB:Cu Ni PLATED
5	5# CONTACT FOOT	1	C5191 t=0.3	MB:Cu Sn PLATED
4	4# CONTACT FOOT	1	C2680 t=0.4	MB:Cu Sn PLATED
3	3# CONTACT FOOT	1	C2680 t=0.4	MB:Cu Sn PLATED
2	2# CONTACT FOOT	1	C5191 t=0.25	MB:Cu Sn PLATED
1	1# CONTACT FOOT	1	C2680 t=0.5	MB:Cu Sn PLATED
LTR	PART NAME	QTY	MATERIAL	REMARK

All Connectors

www.allconnectors.de
Tel.: 0049 711 7009503
70794 Filderstadt - Germany

info@allconnectors.de
Fax: 0049 711 7009504
Kettnerstr. 25

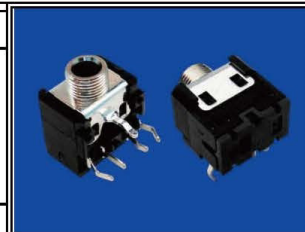
RoHS Compliant

DRAWING BY CY
CHECKED BY GENIUS
UNIT/mm SCALE 1:1
DATE
SIZE A4

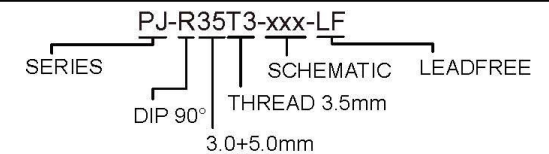
TOLERANCES ARE

X.±
.X±
.XX±
.XXX±
ANG ±

PJECTION

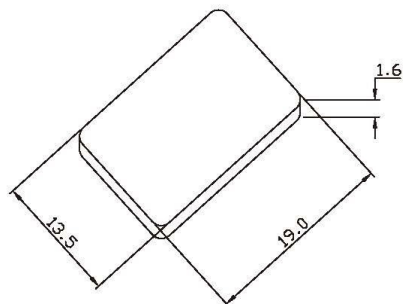


ORDER INFORMATION

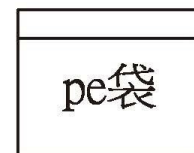
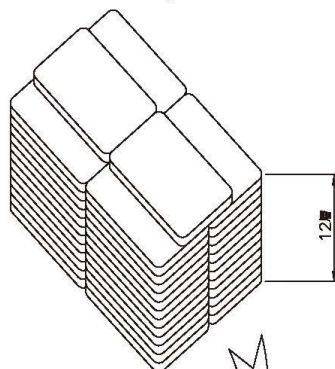


DESCRIPTION:

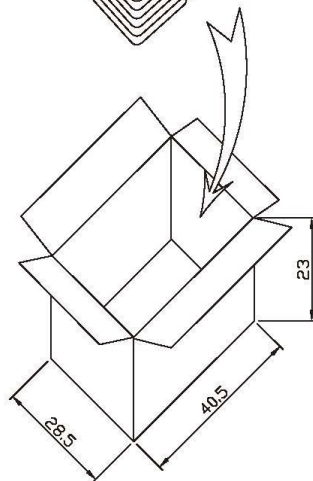
一.塑膠盒
=100pcs/盒



二.紙箱
=4X12X100+200
=5000 PCS



一袋裝1000螺母



一箱裝5袋
即5000螺母

淨重:12 Kg

毛重:13Kg

單位: cm

All Connectors

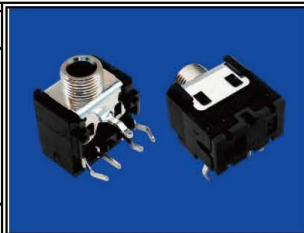
www.allconnectors.de info@allconnectors.de
Tel.: 0049 711 7009503 Fax: 0049 711 7009504
70794 Filderstadt - Germany Kettenerstr. 25

RoHS Compliant

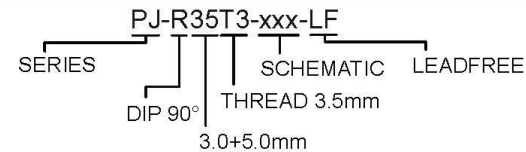
TOLERANCES ARE

X ±
.X ±
.XX ±
.XXX ±
ANG ±

DRAWING BY CY
CHECKED BY GENIUS
UNIT/mm SCALE 1:1
DATE
SIZE A4 PROJECTION



ORDER INFORMATION



DESCRIPTION: