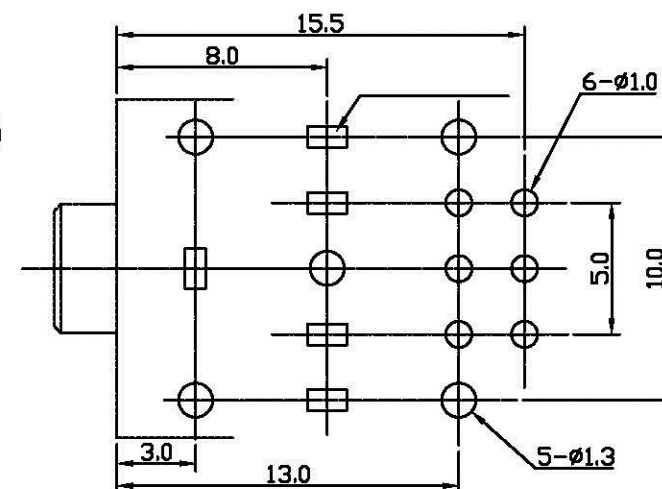
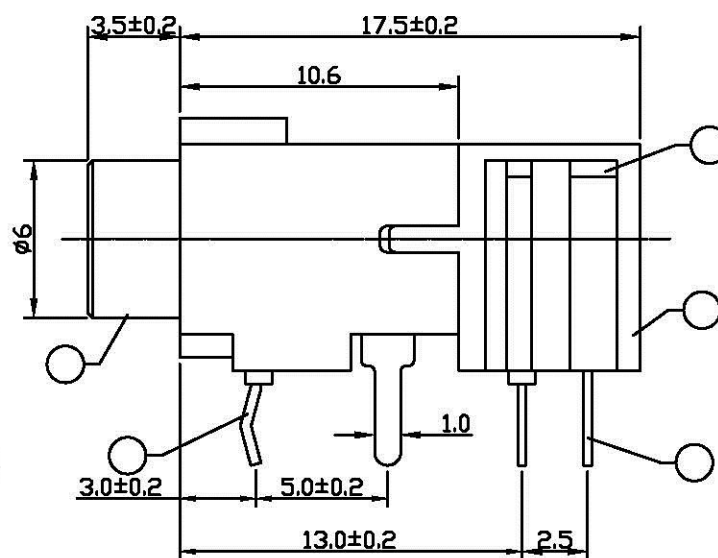
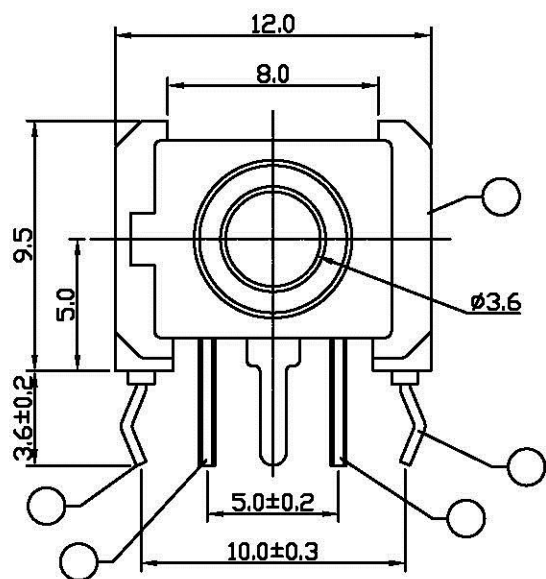
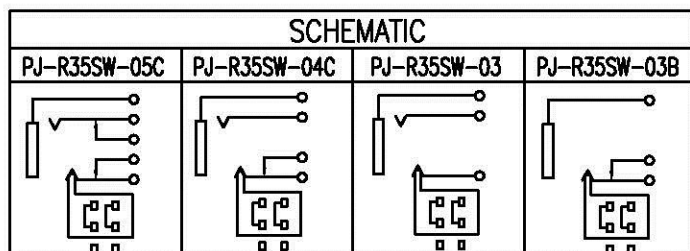


1 2 3 4 5 6 7 8 9 0

J
I
H
G
F
E
D
C
B
A



T:1.6 Dimensions of PC board holes
Tolerance : ±0.1(Printed-top view)



UNLESS OTHERWISE SPECIFIED, TOLERANCE ON DECIMAL:

10	8# CONTACT FOOT	6	H62 BRASS	MB:Cu Ag PLATED
9	SWITCH COVER	1	PA66	
8	SWITCH	6	PA66	
7	HOUSING	1	PA66	
6	AXIS SUPPORT	1	H59 BRASS	MB:Cu Ni PLATED
5	5# CONTACT	1	ALDARY	MB:Cu Ag PLATED
4	4# CONTACT	1	H62 BRASS	MB:Cu Ag PLATED
3	3# CONTACT	1	H62 BRASS	MB:Cu Ag PLATED
2	2# CONTACT	1	ALDARY	MB:Cu Ag PLATED
1	1# CONTACT	1	H62 BRASS	MB:Cu Ag PLATED
LTR	PART NAME	QTY	MATERIAL	REMARK

All Connectors

www.allconnectors.de
Tel: 0049 701 40004-0
20754 Eiche/Judi - Germany

info@allconnectors.de
Fax: 0049 701 40004-4
Kellernmeile 25

PART NO. PJ-R35SW-xxx

DWG NO. PJ-R35SW-xxx

FILE NO.

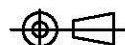
UNIT / mm

SCALE 1:1

CHECKED BY CY

DRAWING BY

PROJECTION



TOLERANCES ARE

.X ± 0.2
.XX ±
.XXX ±
AWG

DESCRIPTION:

MINIATURE JACK

AREA

REVISIONS

HK

DATE