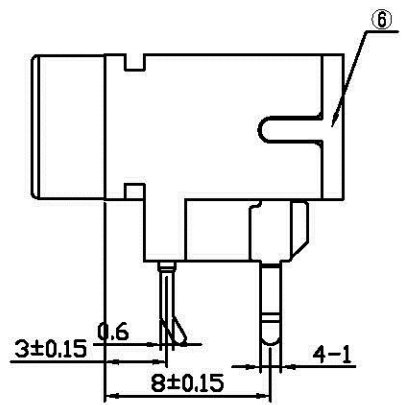
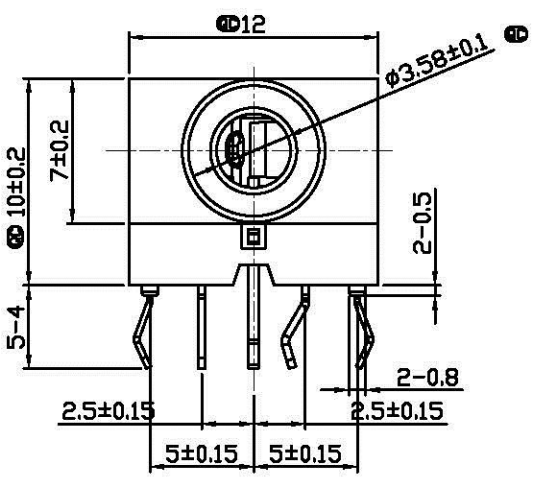
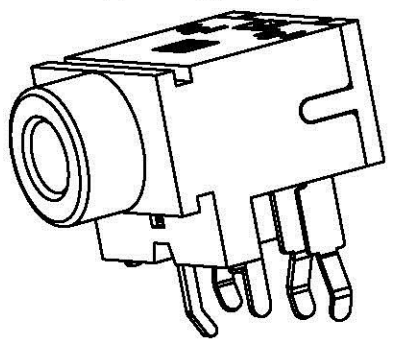


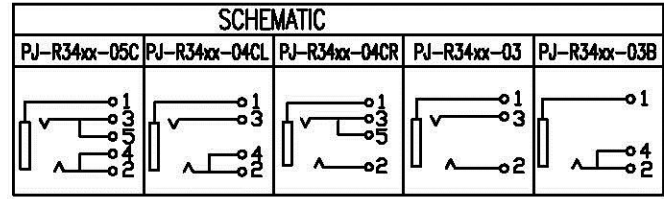
PCB LAYOUT TOP VIEW



PJ-R34xx-xxx-LF
LEADFREE
RoHS Compliant



MODEL NO.	COLOR
PJ-R34-xxx	BLACK
PJ-R34GR-xxx	GREEN
PJ-R34PK-xxx	PINK
PJ-R34BL-xxx	BLUE
PJ-R34OR-xxx	ORANGE



NO.	DESCRIPTION	QTY	MATERIAL	REMARK
7	HOUSING	1	PBT (Black)	
6	COVER	1	PBT (Black)	
5	TERMINAL	1	BRASS t=0.35	Ag-Plated
4	TERMINAL	1	BRASS t=0.35	Ag-Plated
3	TERMINAL	1	PHOSPHOR BRONZE t=0.25	Ag-Plated
2	TERMINAL	1	PHOSPHOR BRONZE t=0.25	Ag-Plated
1	TERMINAL	1	PHOSPHOR BRONZE t=0.50	Ag-Plated

Allconnectors
www.allconnectors.de
Tel.: 0049 711 7009503
Fax: 0049 711 7009504
Kettnerstr. 25
42699 Solingen

PART NO. PJ-R34xx-xxx		CHECKED BY CY	DRAWING BY
DWG NO. PJ-R34xx-xxx			
FILE NO.		PROJECTION	
UNIT / mm	SCALE 1:1		

TOLERANCES ARE
X ± 0.2
.XX ±
.XXX ±
AWG

DESCRIPTION:			
AREA	REVISIONS	HK	DATE