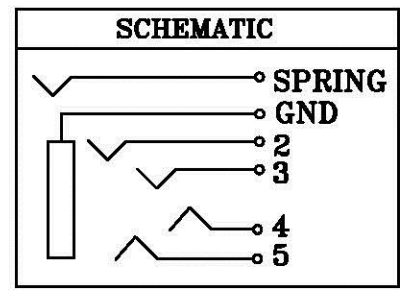
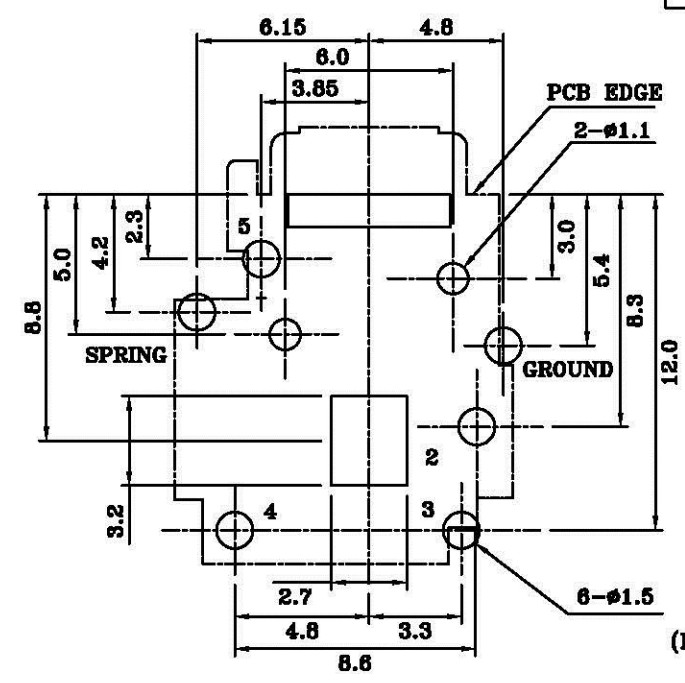
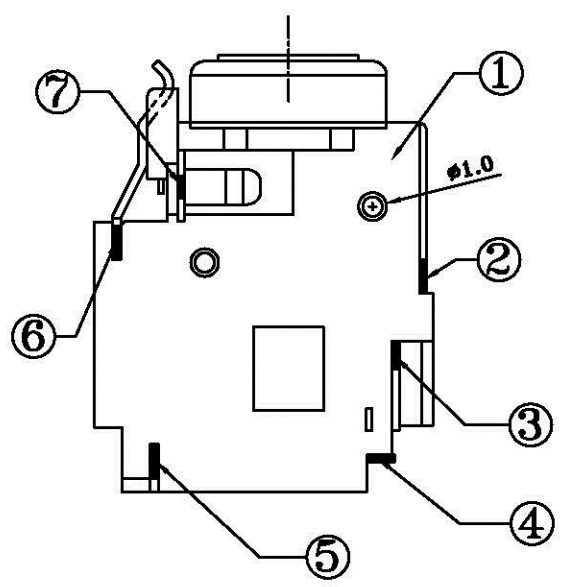


NO.	NAME	MATERIAL	FINISH
1	HOUSING	NYLON PA9T G.F.	BLACK
2	GROUND PIN	BRASS	GOLD PLATED
3	RING SPRING	PBS	TIN PLATED
4	TIP BREAK	PBS	TIN PLATED
5	RING BREAK	PBS	TIN PLATED
6	SPRING	PBS	GOLD PLATED
7	BUSHING	PBS	NICKEL PLATED



PCB LAYOUT (BOTTOM VIEW)

All Connectors

www.allconnectors.com
 info@allconnectors.com
 Tel: 0349 211 200502 Fax: 0349 211 200504
 20704 Filderstadt - Germany Kettnerstr. 25

PART NO. PJ-R32-06

DWG NO. PJ-R32-06

FILE NO.

UNIT / mm

SCALE 1:1

CHECKED BY CY

DRAWING BY

PROJECTION

TOLERANCES ARE

.X±0.2
 .XX±
 .XXX±
 AWG

DESCRIPTION:

PHONE JACK

AREA

REVISIONS

HK

DATE