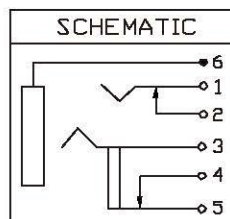
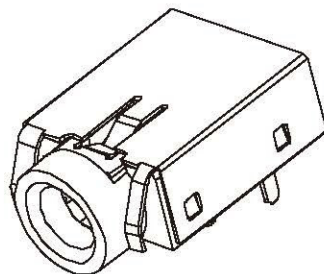
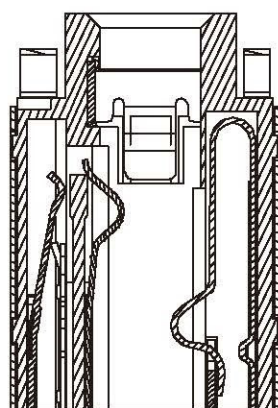
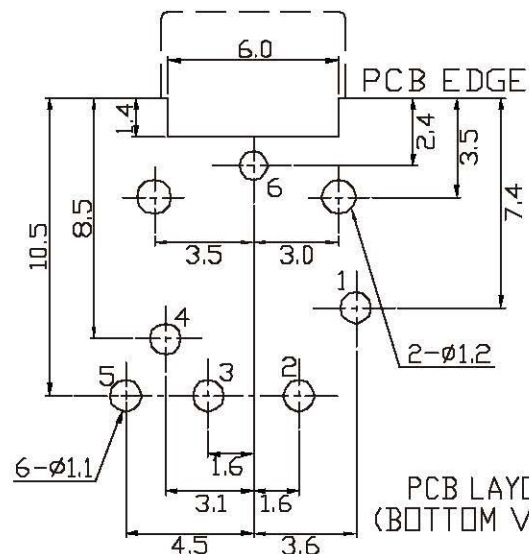


NO.	NAME	MATERIAL	FINISH	Q'TY
1	EARTH TERMINAL	PBS T:0.25	TIN PLATED	1
2	RING SPRING	PHOS. BRONZE T:0.25	TIN PLATED	1
3	RING SHUNT	BRASS T:0.25	TIN PLATED	1
4	TIP SPRING	PBS T:0.20	TIN PLATED	1
5	RING SHUNT	PHOS. BRONZE T:0.25	TIN PLATED	1
6	TIP SPRING	PHOS. BRONZE T:0.25	TIN PLATED	1
7	HOUSING	NYLON PA9T GF.	SEE COLOR	1
8	SHELL	PBS T:0.20	NICKEL PLATED	1

MODEL NO.	PJ-R30Sxx-06C (PC99 COLOR)					
	PK	BK	LM	YL	OR	LB
HOUSING COLOR	PINK	BLACK	LIME	YELLOW	ORANGE	LIGHT BLUE
PANTONE	701C		577C	123C	157C	284C



**Specification:**

Contact Resistance: 30m Ohm. Max. At AC 100mA Max. 1KHz.  
 Insulation Resistance: 100M Ohm Min. At 500V DC.  
 Rated Voltage And Current: DC 12V, 2A Max ; AC 100V, 1A Max.  
 Dielectric Withstanding Voltage: 500V AC For 1 Minute.  
 Durability (Life Test): A: For Phosphor Bronze 1500 Cycles Minimum.  
 Insertion Force: 0.3~3.0 Kg.  
 Extraction Force: 0.3~3.0Kg.

PJ-R30Sxx-06C-LF  
 LEADFREE  
 PK: PINK  
 BK: BLACK  
 LM: LIME  
 YL: YELLOW  
 OR: ORANGE  
 LB: LIGHT BLUE

RoHS Compliant

**All Connectors**

www.allconnectors.de  
 Tel.: 0049 711 7009503  
 70229 Tübingen - Germany

info@allconnectors.de  
 Fax: 0049 711 7009504  
 Kettnerstr. 25

PART NO. PJ-R30Sxx-06C

DWG NO. PJ-R30Sxx-06C

FILE NO.

UNIT / mm

SCALE 1:1

CHECKED BY CY

DRAWING BY

PROJECTION



TOLERANCES ARE

X ± 0.25  
 .XX ± 0.13  
 .XXX ± 0.05  
 ANG

DESCRIPTION:

ø3.5 EARPHONE JACK  
 FLAT 6 PIN DIP

AREA

REVISIONS

HK

DATE