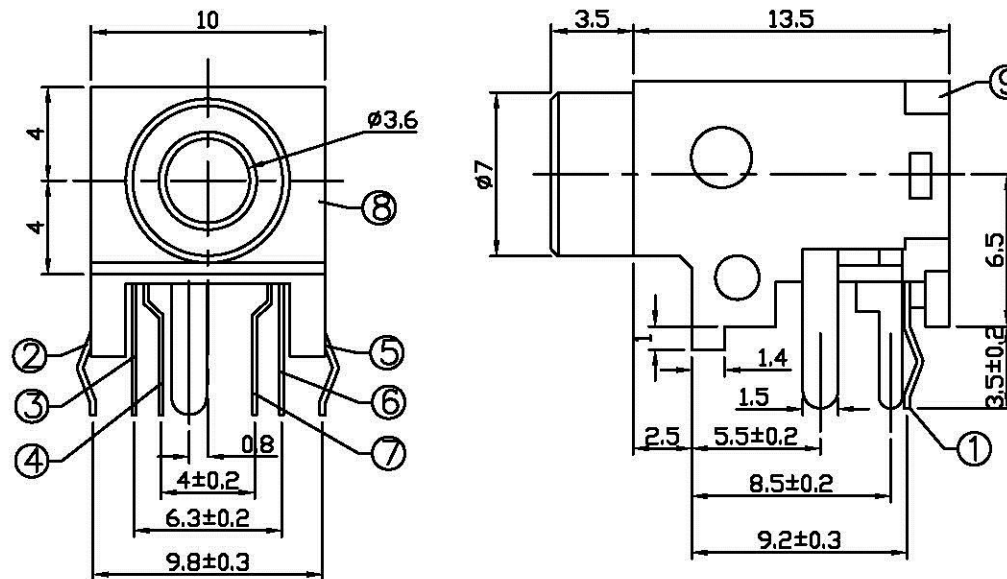
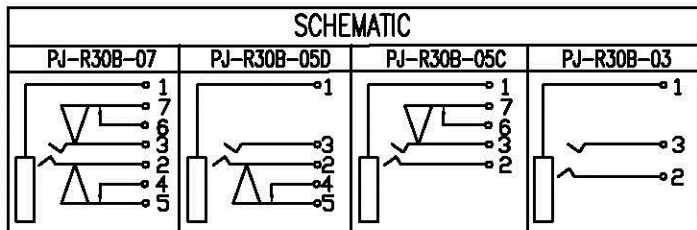


PJR30B-xxx-LF
LEADFREE

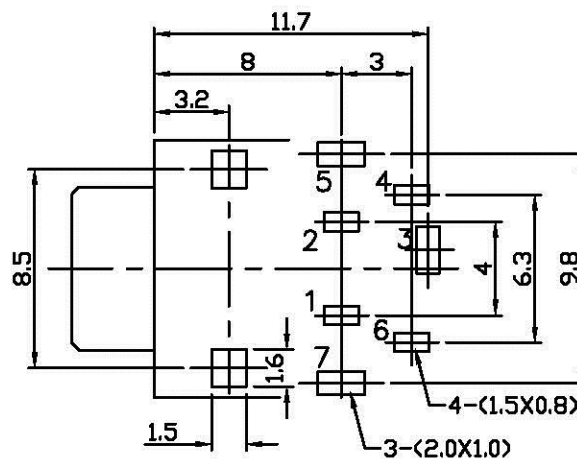
RoHS Compliant



SCHEMATIC



9	COVER	1	POM	
8	HOUSING	1	PBT	
7	7#CONTACT FOOT	1	PHOSPHOR BRONZE	MB:Cu Ag PLATED
6	6#CONTACT FOOT	1	H62 BRASS	MB:Cu Ag PLATED
5	5#CONTACT FOOT	1	PHOSPHOR BRONZE	MB:Cu Ag PLATED
4	4#CONTACT FOOT	1	PHOSPHOR BRONZE	MB:Cu Ag PLATED
3	3#CONTACT FOOT	1	H62 BRASS	MB:Cu Ag PLATED
2	2#CONTACT FOOT	1	PHOSPHOR BRONZE	MB:Cu Ag PLATED
1	1#CONTACT FOOT	1	PHOSPHOR BRONZE	MB:Cu Ag PLATED
LTR	PART NAME	QTY	MATERIAL	REMARK



T:1.6 Dimensions of PC board holes
Tolerance : ±0.1(Printed-top view)

UNLESS OTHERWISE SPECIFIED, TOLERANCE ON DECIMAL: ±0.3

All Connectors

www.allconnectors.com
Tel: 0019 (11) 7005409
Fax: 0019 (11) 7005401
Kaduna State, Nigeria

PART NO. PJ-R30B-xxx

DWG NO. PJ-R30B-xxx

FILE NO.

UNIT / mm

SCALE 1:1

CHECKED BY CY

DRAWING BY

PROJECTION



TOLERANCES ARE

.X ± 0.2
.XX ±
XXX ±
AWG

DESCRIPTION:

MINIATURE JACK

AREA

REVISIONS

HK

DATE