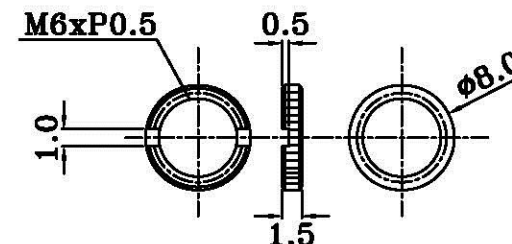
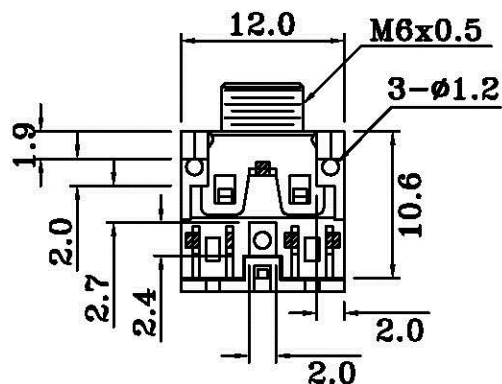
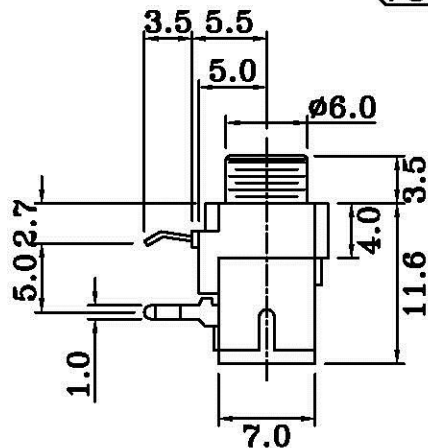


PCB LAYOUT  
(BOTTOM VIEW)



NO.	NAME	MATERIAL	FINISH
1	GROUND TERM.	C.R.S. 0.5THK	TIN PLATED
2	RING SPRING	PBS 0.3THK	TIN PLATED
3	TIP SPRING	PBS 0.3THK	TIN PLATED
4	RING BREAK	BRASS	TIN PLATED
5	TIP BREAK	BRASS	TIN PLATED
6	PLUG BUSHING	BRASS	NICKEL PLATED
7	HOUSING	P.B.T.	BLACK
8	BACK COVER	P.B.T.	BLACK

NO.	NAME	MATERIAL	FINISH	Q'TY
1	NUT	BRASS	NICKEL PLATED	1

PJ-R25TN-05C-LF  
LEADFREE  
RoHS Compliant

**Allconnectors**

www.allconnectors.de  
Tel.: 0049 711 7009503  
Allconnectors GmbH - Germany

info@allconnectors.de  
Fax: 0049 711 7009504  
Kettwegstr. 25

PART NO. PJ-R25TN-05C

DWG NO. PJ-R25TN-05C

FILE NO.

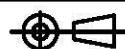
UNIT / mm

SCALE 1:1

CHECKED BY CY

DRAWING BY

PROJECTION



TOLERANCES ARE

X ±0.3  
XX  
XXX  
AWG

DESCRIPTION: **Ø3.5 PHONE JACK**

AREA

REVISIONS

HK

DATE