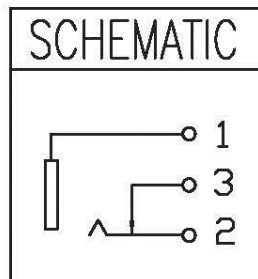
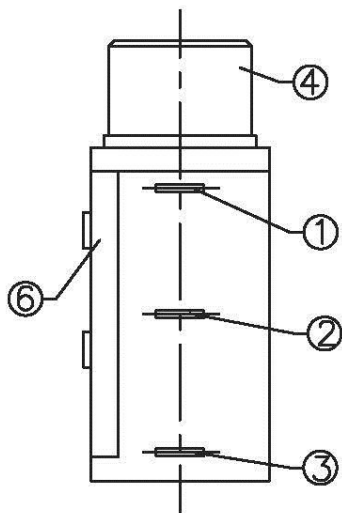


T:1.6 Dimensions of PC board holes
Tolerance : ±0.1(Printed-top view)



PJ-R15M-03B-LF
LEADFREE
RoHS Compliant

UNLESS OTHERWISE SPECIFIED, TOLERANCE ON DECIMAL: ±0.3

7	HOUSING	1	PBT 4815	UL-94V0(BLACK)
6	COVER	1	PC	TRANSPARENT
5	SPRING	1	SWC	MB:Cu Ni PLATED
4	AXIS SUPPORT	1	H59(COPPER ALLOY)	MB:Cu Cu/Sn PLATED
3	CURVE PIECE	1	C2680 t=0.35	MB:Cu Sn PLATED
2	TOP SPRING	1	C5191 t=0.30	MB:Cu Sn PLATED
1	FLAT PIECE	1	C2680 t=0.30	MB:Cu Sn PLATED
LTR	PART NAME	QTY	MATERIAL	REMARK

All Connectors

www.allconnectors.de
Tel.: 0049 711 7079530
70794 Filderstadt - Germany

info@allconnectors.de
Fax: 0049 711 7079504
Kuttlerstr. 25

PART NO. PJ-R15M-03B

DWG NO. PJ-R15M-03B

FILE NO.

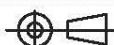
UNIT / mm

SCALE 1:1

CHECKED BY CY

DRAWING BY

PROJECTION



TOLERANCES ARE

.X ± 0.2
.XX ±
.XXX ±
AWG

DESCRIPTION:

MINIATURE JACK

AREA

REVISIONS

HK

DATE