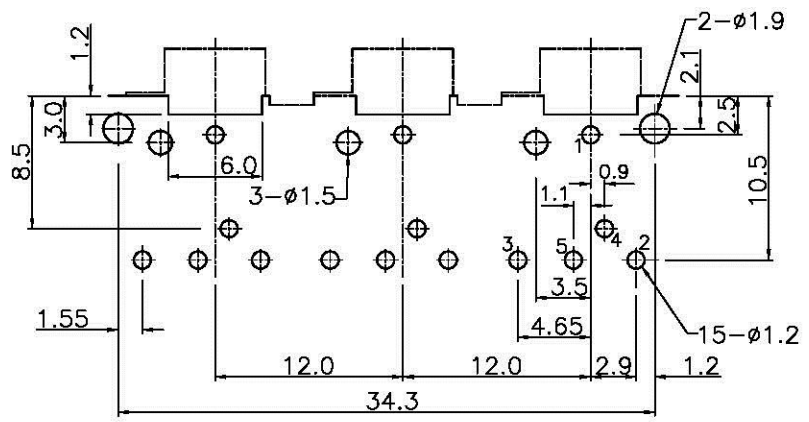
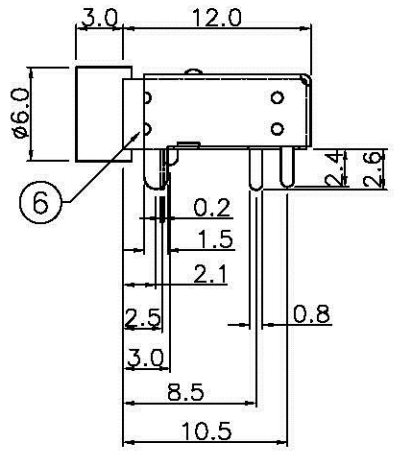
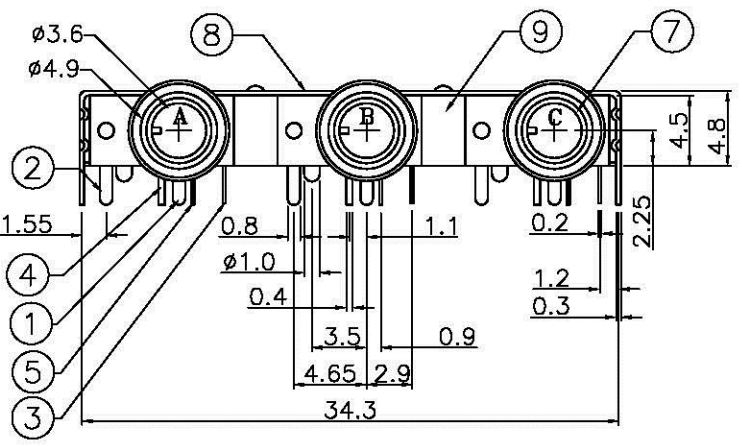


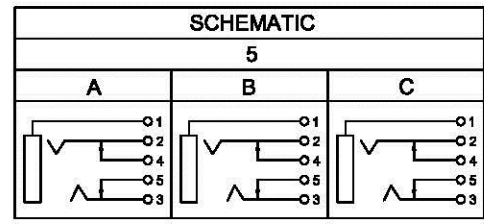
REV.	ECN.	DATE	DWN	APVD

SPECIFICATION:

CURRENT RATING : DC 12V, 2A MAX.
 AC 100V, 1A MAX.
 DIELECTRIC WITHSTANDING VOLTAGE : 500V AC PER MINUTE
 INSULATION RESISTANCE : 100MΩ MIN. AT 500V DC.
 CONTACT RESISTANCE : 30mΩ MAX.



**PCB LAYOUT
(BOTTOM VIEW)**



Order Information :

J E B 1 0 - 5 1 T 1 C 1 0 - R
 1 2 3 4 5 6 7

1. SERIES NUMBER	JEB10 : Ø3.5mm EARPHONE JACK
2. SCHEMATIC OPTION	5 (SEE ABOVE DRAWING)
3. TERMINAL PLATING	T : TIN
4. INSULATOR COLOR (A / B / C)	1 : ALL BLACK 9 : PINK(701C)/LIGHT BLUE(284C)/LIME(577C)
5. INSULATOR MATERIAL	C : NYLON
6. BUSHING PLATING	1 : NICKEL
7. GREEN PRODUCT	BLANK : NOT GREEN PRODUCT R : RoHS COMPLIANT

NO.	NAME	MATERIAL	FINISH
1	GROUND TERM.	PBS	TIN PLATED
2	TIP SPRING	PBS	TIN PLATED
3	RING SPRING	PBS	TIN PLATED
4	TIP BREAK	BRASS	TIN PLATED
5	RING BREAK	BRASS	TIN PLATED
6	HOUSING	NYLON PA9T G.F.	
7	BUSHING	BRASS	NICKEL PLATED
8	BACK SHIELD	SPCC ; T=0.3	NICKEL PLATED
9	HOLDER	NYLON PA9T G.F.	BLACK

Allconnectors
 www.allconnectors.de
 info@allconnectors.de
 +49 4343 713 4010
 +49 4343 713 4011
 +49 4343 713 4012

SIZE A4 UNIT mm SCALE 2/1 SHEET 1 OF 1

GENERAL TOLERANCE ±0.3
 ANGLE TOLERANCE ±1°
 RADIUS ±0.25
 HOLE ±0.13

DRAWN.	JEAN	DATE	01 - 24 - 2006
CHECKED.	HENRY	DATE	02 - 09 - 2006
APPROVED.	HENRY	DATE	02 - 09 - 2006

DRAWING NO.	JEB10-51TXC10-R	C11010
TITLE.	Ø3.5mm EARPHONE JACK	
PART NO.	JEB10-51TXC10-R	REV A.0