

REV.	ECN.	DATE	DWN	APVD

SPECIFICATION:

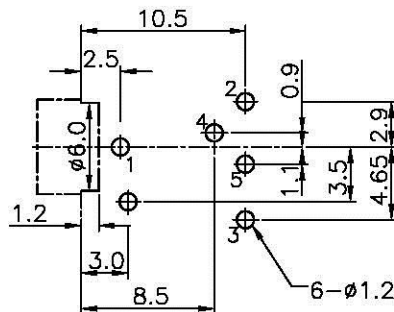
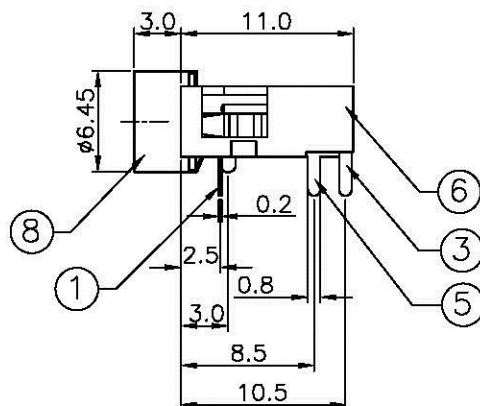
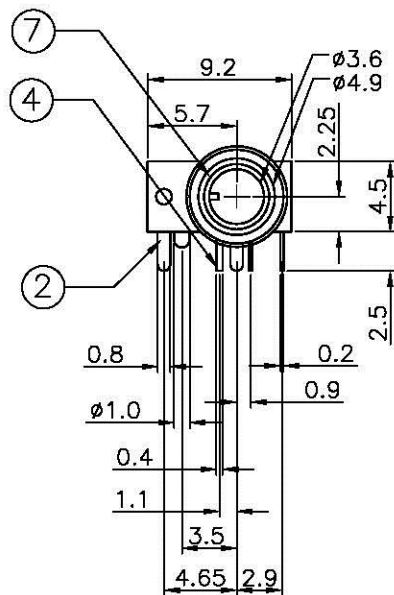
CURRENT RATING : DC 12V, 2A MAX.

AC 100V, 1A MAX.

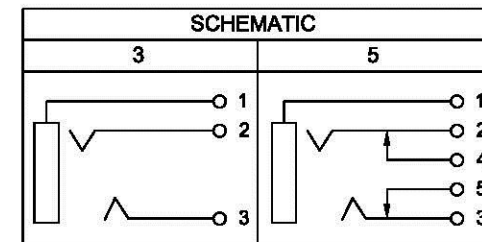
DIELECTRIC WITHSTANDING VOLTAGE : 500V AC PER MINUTE

INSULATION RESISTANCE : 100MΩ MIN. AT 500V DC.

CONTACT RESISTANCE : 30mΩ MAX.



PCB LAYOUT
(BOTTOM VIEW)



Order Information :

J E B 0 9 - 5 3 T 1 C 1 0 - R
 1 2 3 4 5 6 7

1. SERIES NUMBER	JEB09 : Ø3.5mm EARPHONE JACK
2. SCHEMATIC OPTION	3, 5 (SEE ABOVE DRAWING)
3. TERMINAL PLATING	T : TIN
4. INSULATOR COLOR	1 : BLACK 4 : ORANGE(157C) 5 : YELLOW(123C) 6 : LIME(577C) 7 : LIGHT BLUE(284C) Q : PINK(701C)
5. INSULATOR MATERIAL	C : NYLON
6. BUSHING PLATING	1 : NICKEL
7. GREEN PRODUCT	BLANK : NOT GREEN PRODUCT R : RoHS COMPLIANT

NO.	NAME	MATERIAL	FINISH
1	GROUND TERM.	PBS	TIN PLATED
2	TIP SPRING	PBS	TIN PLATED
3	RING SPRING	PBS	TIN PLATED
4	TIP BREAK	BRASS	TIN PLATED
5	RING BREAK	BRASS	TIN PLATED
6	HOUSING	NYLON PA9T G.F.	
7	BUSHING	BRASS	NICKEL PLATED
8	BARREL	BRASS	TIN PLATED

Allconnectors
 www.allconnectors.de
 Tel.: 0049 711 7009503
 73791 Filderstadt - Germany

info@allconnectors.de
 Fax: 0049 711 7009504
 Ketteimerstr. 25

SIZE A4	UNIT mm	SCALE 2/1	SHEET 1 OF 1
---------	---------	-----------	--------------

GENERAL TOLERANCE ± 0.3	DRAWN. JEAN	DATE 01 - 24 - 2006	DRAWING NO. JEB09-X3T1C10-R	C11010
ANGLE TOLERANCE ± 1° RADIUS ± 0.25 HOLE ± 0.13	CHECKED. HENRY	DATE 02 - 09 - 2006	TITLE. Ø3.5mm EARPHONE JACK	
	APPROVED. HENRY	DATE 02 - 09 - 2006	PART NO. JEB09-X3T1C10-R	REV A.0