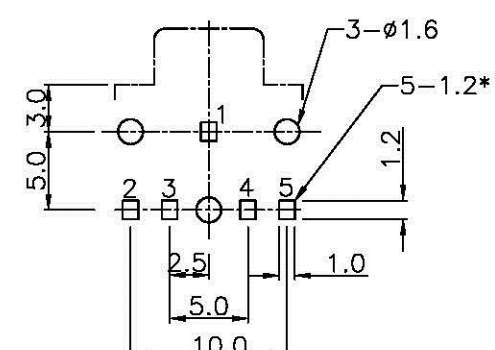
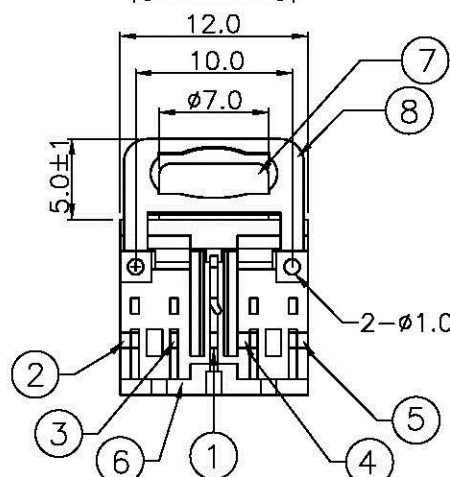
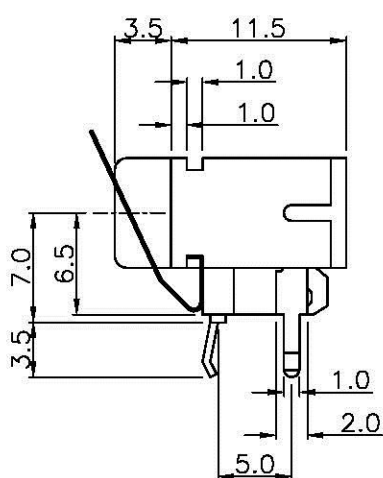
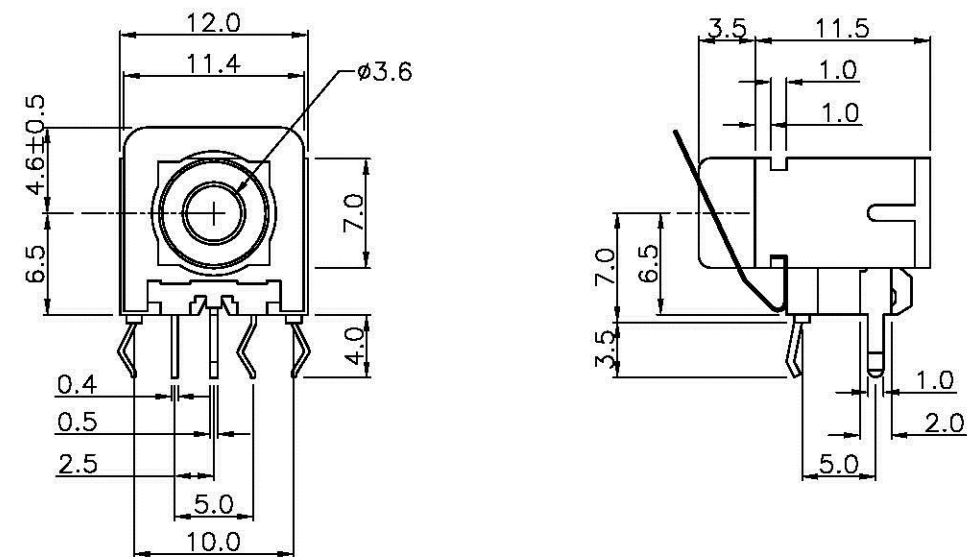


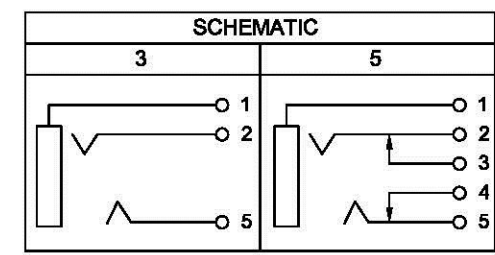
REV.	ECN.	DATE	DWN	APVD



PCB LAYOUT
(BOTTOM VIEW)

SPECIFICATION:

CURRENT RATING : DC 12V, 2A MAX.
AC 100V, 1A MAX.
DIELECTRIC WITHSTANDING VOLTAGE : 500V AC PER MINUTE
INSULATION RESISTANCE : 100MΩ MIN. AT 500V DC.
CONTACT RESISTANCE : 30mΩ MAX.



Order Information :

J E B 0 8 - 5 0 T 1 B 0 1 - R
1 2 3 4 5 6 7

1. SERIES NUMBER	JEB08 : ø3.5mm EARPHONE JACK
2. SCHEMATIC OPTION	3, 5 (SEE ABOVE DRAWING)
3. TERMINAL PLATING	T : TIN
4. INSULATOR COLOR	1 : BLACK 4 : ORANGE(157C) 5 : YELLOW(123C) 6 : LIME(577C) 7 : LIGHT BLUE(284C) Q : PINK(701C)
5. INSULATOR MATERIAL	B : PBT
6. BUSHING PLATING	0 : ALL PLASTIC
7. GREEN PRODUCT	BLANK : NOT GREEN PRODUCT R : RoHS COMPLIANT

NO.	NAME	MATERIAL	FINISH
1	GROUND TERM.	PHOS. BRONZE T=0.5	TIN PLATED
2	RING SPRING	PBS T=0.3	TIN PLATED
3	BREAK TERM.	BRASS T=0.4	TIN PLATED
4	BREAK TERM.	BRASS T=0.4	TIN PLATED
5	TIP SPRING	PBS T=0.3	TIN PLATED
6	BACK COVER	PBT	
7	HOUSING	PBT	
8	GROUND SHIELD	STAINLESS T=0.15	

Allconnectors
www.allconnectors.se
Tel.: 0340 711 703563
Köpenickstraße 21
info@allconnectors.se
Fax: 0340 711 703564
Köpenickstraße 21

SIZE	UNIT	SCALE	SHEET
A4	mm	2/1	1 OF 1

GENERAL TOLERANCE
± 0.3
ANGLE TOLERANCE ± 1°
RADIUS ± 0.25
HOLE ± 0.13

DRAWN.	JEAN	DATE	01 - 24 - 2006
CHECKED.	HENRY	DATE	02 - 09 - 2006
APPROVED.	HENRY	DATE	02 - 09 - 2006

DRAWING NO.	JEB08-X0TXB01-R	C11010
TITLE.	ø3.5mm EARPHONE JACK	
PART NO.	JEB08-X0TXB01-R	REV A.0