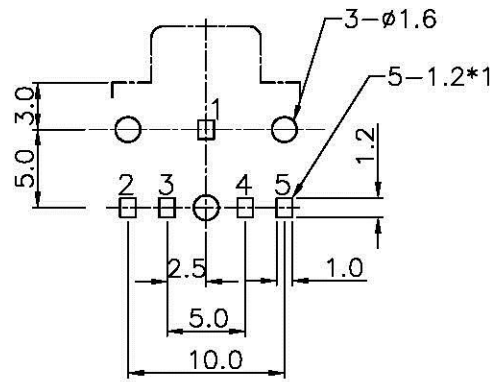
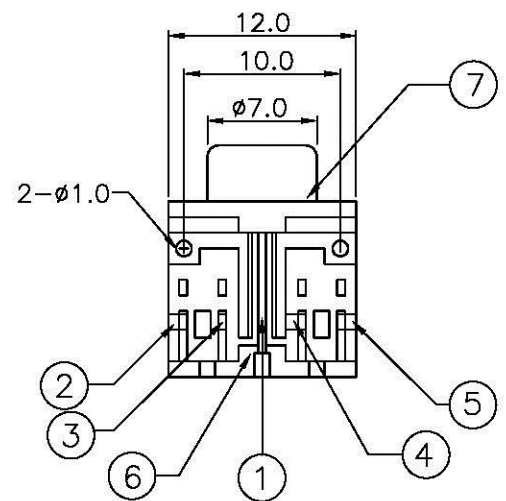
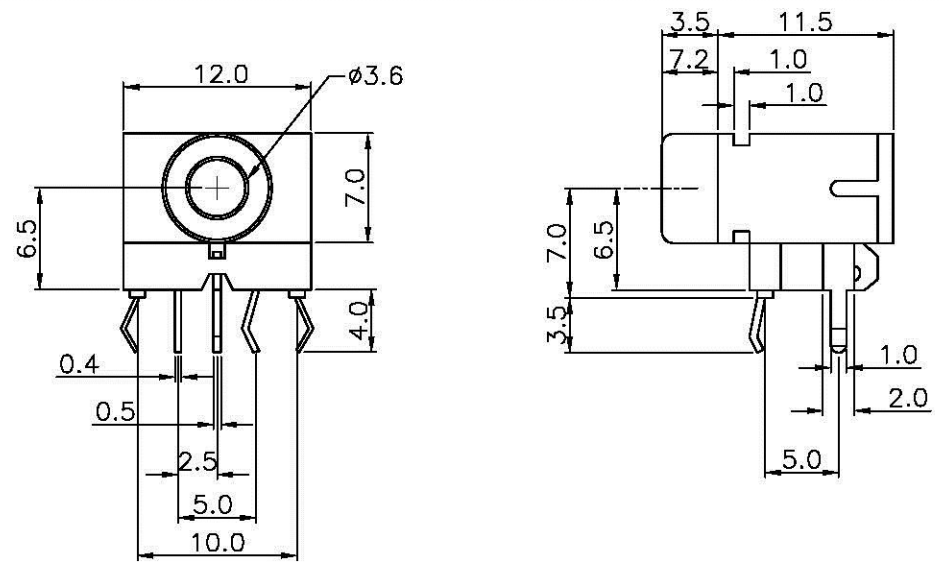


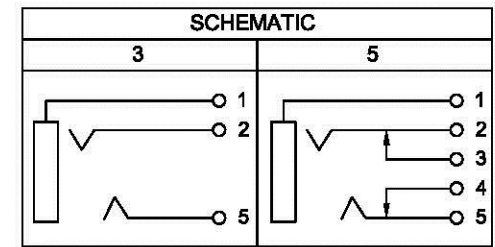
REV.	ECN.	DATE	DWN	APVD

SPECIFICATION:

CURRENT RATING : DC 12V, 2A MAX.
 AC 100V, 1A MAX.
 DIELECTRIC WITHSTANDING VOLTAGE : 500V AC PER MINUTE
 INSULATION RESISTANCE : 100MΩ MIN. AT 500V DC.
 CONTACT RESISTANCE : 30mΩ MAX.



**PCB LAYOUT
(BOTTOM VIEW)**



Order Information :

J E B 0 8 - 5 0 T 1 B 0 0 - R
 1 2 3 4 5 6 7

1. SERIES NUMBER	JEB08 : #3.5mm EARPHONE JACK
2. SCHEMATIC OPTION	3, 5 (SEE ABOVE DRAWING)
3. TERMINAL PLATING	T : TIN
4. INSULATOR COLOR	1 : BLACK 4 : ORANGE(157C) 5 : YELLOW(123C) 6 : LIME(577C) 7 : LIGHT BLUE(284C) Q : PINK(701C)
5. INSULATOR MATERIAL	B : PBT
6. BUSHING PLATING	0 : ALL PLASTIC
7. GREEN PRODUCT	BLANK : NOT GREEN PRODUCT R : RoHS COMPLIANT

NO.	NAME	MATERIAL	FINISH
1	GROUND TERM.	PHOS. BRONZE T=0.5	TIN PLATED
2	RING SPRING	PBS T=0.3	TIN PLATED
3	BREAK TERM.	BRASS T=0.4	TIN PLATED
4	BREAK TERM.	BRASS T=0.4	TIN PLATED
5	TIP SPRING	PBS T=0.3	TIN PLATED
6	BACK COVER	PBT	
7	HOUSING	PBT	

Allconnectors
 www.allconnectors.de info@allconnectors.de
 Tel: 0049 711 7009503 Fax: 0049 711 7009504
 Ad: 701 Hilberstadt - Germany Kettenstr. 29

SIZE A4 UNIT mm SCALE 2/1 SHEET 1 OF 1

GENERAL TOLERANCE ± 0.3 ANGLE TOLERANCE ± 1° RADIUS ± 0.25 HOLE ± 0.13	DRAWN. JEAN	DATE 01 - 24 - 2006	DRAWING NO. JEB08-X0TXB00-R	C11010
	CHECKED. HENRY	DATE 02 - 09 - 2006	TITLE. φ3.5mm EARPHONE JACK	
	APPROVED. HENRY	DATE 02 - 09 - 2006	PART NO. JEB08-X0TXB00-R	REV A.0