

REV.	ECN.	DATE	DWN	APVD

SPECIFICATION:

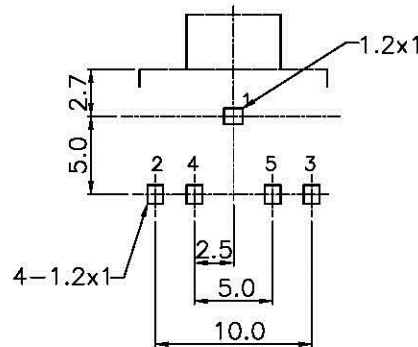
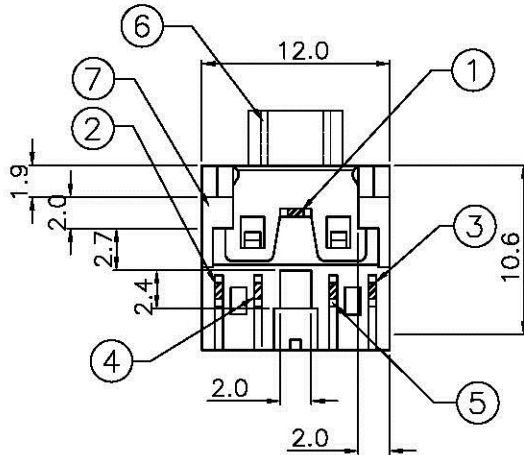
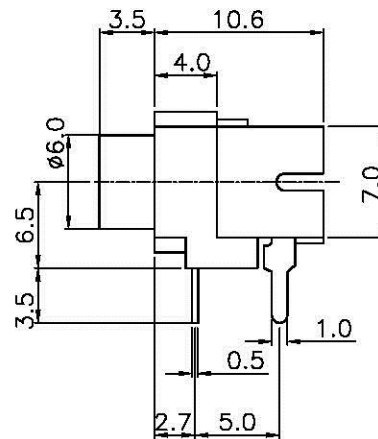
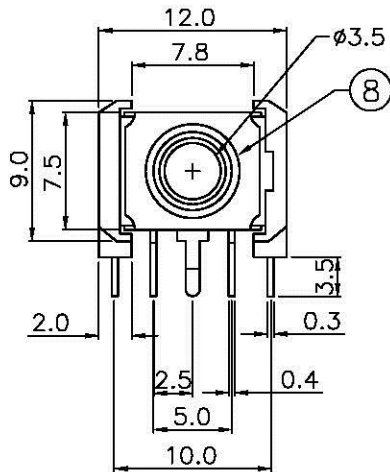
CURRENT RATING : DC 12V, 2A MAX.

AC 100V, 1A MAX.

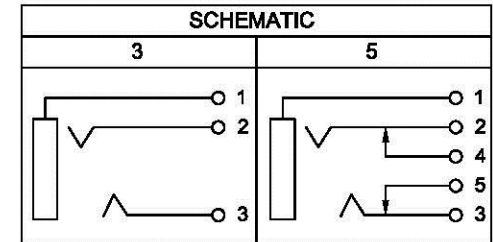
DIELECTRIC WITHSTANDING VOLTAGE : 500V AC PER MINUTE

INSULATION RESISTANCE : 100MΩ MIN. AT 500V DC.

CONTACT RESISTANCE : 30mΩ MAX.



PCB LAYOUT
(BOTTOM VIEW)



Order Information :

J E B 0 5 - 5 5 T 7 B 1 4 - R
1 2 3 4 5 6 7

1. SERIES NUMBER	JEB05 :ø3.5mm EARPHONE JACK
2. SCHEMATIC OPTION	3, 5 (SEE ABOVE DRAWING)
3. TERMINAL PLATING	T : TIN
4. TUBE COLOR	6 : LIME(577C) 7 : LIGHT BLUE(284C) Q : PINK(701C)
5. INSULATOR MATERIAL	B : PBT
6. BUSHING PLATING	1 : NICKEL
7. GREEN PRODUCT	BLANK : NOT GREEN PRODUCT R : RoHS COMPLIANT

NO.	NAME	MATERIAL	FINISH
1	GROUND TERM.	C.R.S. T=0.5	TIN PLATED
2	RING SPRING	PBS T=0.3	TIN PLATED
3	TIP SPRING	PBS T=0.3	TIN PLATED
4	RING BREAK	BRASS	TIN PLATED
5	TIP BREAK	BRASS	TIN PLATED
6	PLUG BUSHING	BRASS	NICKEL PLATED
7	HOUSING	PBT	BLACK
8	TUBE	PBT	

Allconnectors
www.allconnectors.de
Tel.: 0049 201 4895089
20794 Filderstadt - Germany

info@allconnectors.de
Fax: 0049 201 4895044
Kellernstr. 25

SIZE A4	UNIT mm	SCALE 2 / 1	SHEET 1 OF 1	
------------	------------	----------------	-----------------	--

GENERAL TOLERANCE
± 0.3

ANGLE TOLERANCE ± 1°
RADIUS ± 0.25
HOLE ± 0.13

DRAWN.	JEAN	DATE	01 - 24 - 2006
CHECKED.	HENRY	DATE	02 - 09 - 2006
APPROVED.	HENRY	DATE	02 - 09 - 2006

DRAWING NO.	JEB05-X5TXB14-R	C11010
TITLE.	ø3.5mm EARPHONE JACK	
PART NO.	JEB05-X5TXB14-R	REV A.0