

REV.	ECN.	DATE	DWN	APVD

### SPECIFICATION:

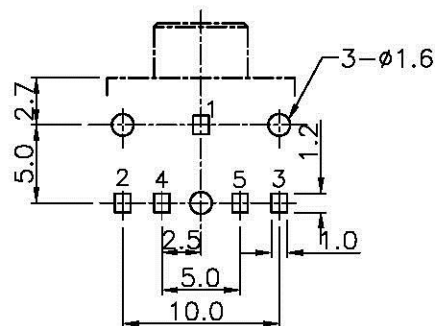
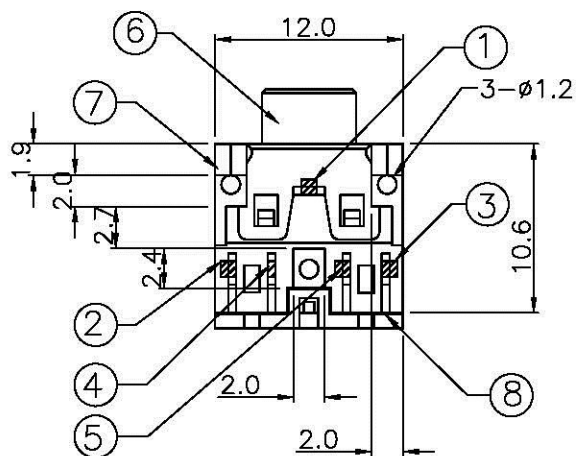
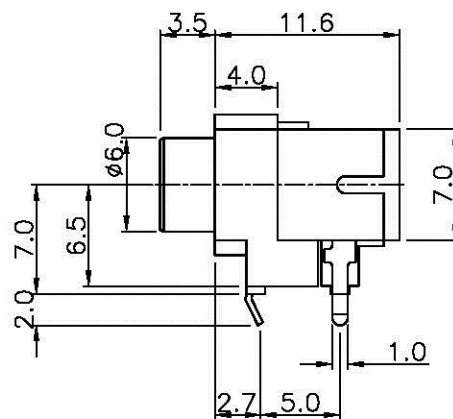
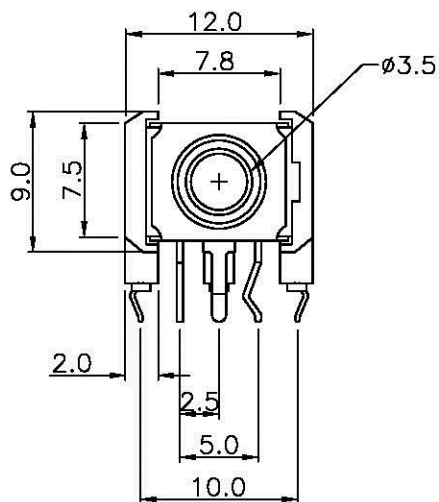
CURRENT RATING : DC 12V, 2A MAX.

AC 100V, 1A MAX.

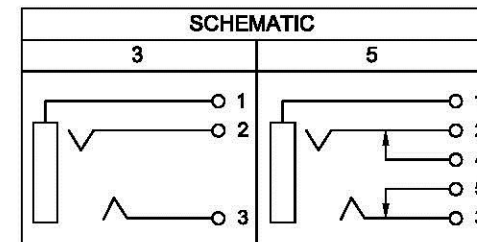
DIELECTRIC WITHSTANDING VOLTAGE : 500V AC PER MINUTE

INSULATION RESISTANCE : 100MΩ MIN. AT 500V DC.

CONTACT RESISTANCE : 30mΩ MAX.



PCB LAYOUT  
(BOTTOM VIEW)



### Order Information :

J E B 0 5 - 5 3 T 1 B 1 5 - R  
1 2 3 4 5 6 7

1. SERIES NUMBER	JEB05 : $\phi$ 3.5mm EARPHONE JACK
2. SCHEMATIC OPTION	3, 5 (SEE ABOVE DRAWING)
3. TERMINAL PLATING	T : TIN
4. INSULATOR COLOR	1 : BLACK
5. INSULATOR MATERIAL	B : PBT
6. BUSHING PLATING	1 : NICKEL
7. GREEN PRODUCT	BLANK : NOT GREEN PRODUCT R : RoHS COMPLIANT

NO.	NAME	MATERIAL	FINISH
1	GROUND TERM.	C.R.S. T=0.5	TIN PLATED
2	RING SPRING	PBS T=0.3	TIN PLATED
3	TIP SPRING	PBS T=0.3	TIN PLATED
4	RING BREAK	BRASS	TIN PLATED
5	TIP BREAK	BRASS	TIN PLATED
6	PLUG BUSHING	BRASS	NICKEL PLATED
7	HOUSING	PBT	BLACK
8	BACK COVER	PBT	BLACK

**Allconnectors**

www.allconnectors.de  
Tel.: 0049 7031 7039500  
70754 Filzchen, Germany

Info@allconnectors.de  
Fax: 0049 7031 7039501  
Kontaktieren Sie uns

GENERAL TOLERANCE

$\pm 0.3$

ANGLE TOLERANCE  $\pm 1^\circ$   
RADIUS  $\pm 0.25$   
HOLE  $\pm 0.13$

DRAWN.

JEAN

DATE

01 - 24 - 2006

DRAWING NO.

JEB05-X3T1B15-R

C11010

CHECKED.

HENRY

DATE

02 - 06 - 2006

TITLE.

$\phi$ 3.5mm EARPHONE JACK

APPROVED.

HENRY

DATE

02 - 06 - 2006

PART NO.

JEB05-X3T1B15-R

REV

A.0

SIZE A4 UNIT mm SCALE 2/1 SHEET 1 OF 1

