

REV.	ECN.	DATE	DWN	APVD

SPECIFICATION:

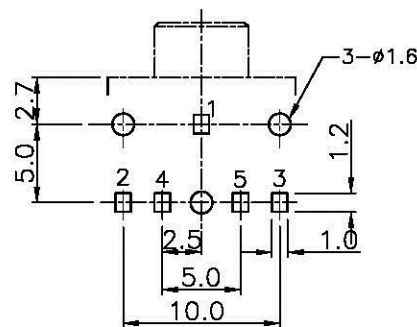
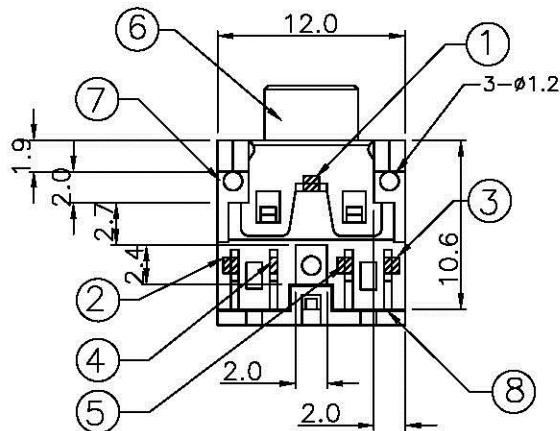
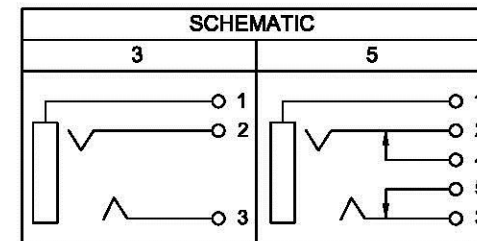
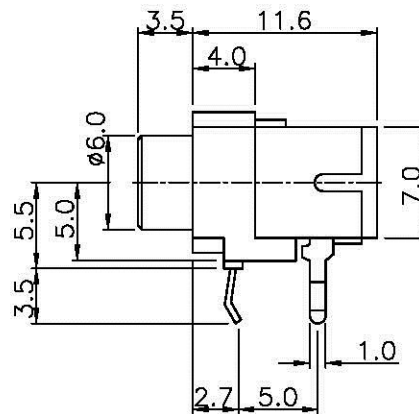
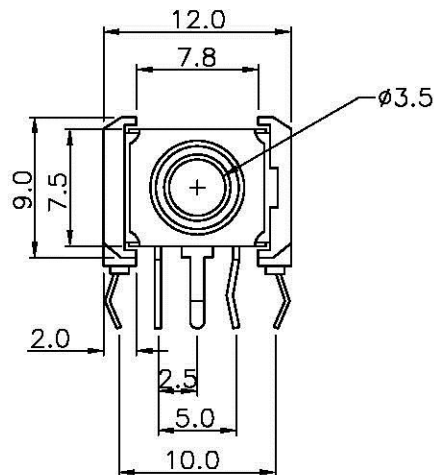
CURRENT RATING : DC 12V, 2A MAX.

AC 100V, 1A MAX.

DIELECTRIC WITHSTANDING VOLTAGE : 500V AC PER MINUTE

INSULATION RESISTANCE : 100MΩ MIN. AT 500V DC.

CONTACT RESISTANCE : 30mΩ MAX.



**PCB LAYOUT
(BOTTOM VIEW)**

Order Information :

J E B 0 5 - 5 3 T 1 B 1 0 - R
1 2 3 4 5 6 7

1. SERIES NUMBER	JEB05 : Ø3.5mm EARPHONE JACK
2. SCHEMATIC OPTION	3, 5 (SEE ABOVE DRAWING)
3. TERMINAL PLATING	T : TIN
4. INSULATOR COLOR	1 : BLACK
5. INSULATOR MATERIAL	B : PBT
6. BUSHING PLATING	1 : NICKEL
7. GREEN PRODUCT	BLANK : NOT GREEN PRODUCT R : RoHS COMPLIANT

NO.	NAME	MATERIAL	FINISH
1	GROUND TERM.	C.R.S. T=0.5	TIN PLATED
2	RING SPRING	PBS T=0.3	TIN PLATED
3	TIP SPRING	PBS T=0.3	TIN PLATED
4	RING BREAK	BRASS	TIN PLATED
5	TIP BREAK	BRASS	TIN PLATED
6	PLUG BUSHING	BRASS	NICKEL PLATED
7	HOUSING	PBT	BLACK
8	BACK COVER	PBT	BLACK

Allconnectors
 www.allconnectors.de
 Tel.: 0049 711 7005503
 70754 Eilderstadt, Germany

Info@allconnectors.de
 Fax: 0049 711 7005504
 Böttingerstr. 25

SIZE A4	UNIT mm	SCALE 2/1	SHEET 1 OF 1	
------------	------------	--------------	-----------------	--

GENERAL TOLERANCE
± 0.3

ANGLE TOLERANCE ± 1°
 RADIUS ± 0.25
 HOLE ± 0.13

DRAWN.	JEAN	DATE	01 - 24 - 2006
CHECKED.	HENRY	DATE	02 - 09 - 2006
APPROVED.	HENRY	DATE	02 - 09 - 2006

DRAWING NO.	JEB05-X3T1B10-R	C11010
TITLE.	Ø3.5mm EARPHONE JACK	
PART NO.	JEB05-X3T1B10-R	REV A.0